

Features

- RISC CPU
- Memories
 - Embedded with 64 MB DDR2, clock frequency up to 533 MHz
 - Three SD/MMC host controller (SMHC) interfaces: SD3.0/SDIO3.0/eMMC5.0
- Video Engine
 - H.265/H.264/MPEG-1/MPEG-2/MPEG-4/JPEG/VC1/Xvid/Sorenson Spark decoding, up to 1080p@60fps
 - JPEG/MJPEG encoding, up to 1080p@60fps
- Video and Graphics
 - Allwinner SmartColor2.0 post processing for an excellent display experience
 - Supports de-interlacer (DI) up to 1080p@60fps
 - Supports Graphic 2D (G2D) hardware accelerator including rotate, mixer, LBC decompression functions
- Video Output
 - RGB interface up to 1920 x 1080@60fps
 - Dual link LVDS interface up to 1920 x 1080@60fps
 - 4-lane MIPI DSI up to 1920 x 1200@60fps
 - CVBS OUT interface, supporting NTSC and PAL format
- Video Input
 - 8-bit digital camera interface
 - CVBS IN interface, supporting NTSC and PAL format (only for F133-B)
- Analog Audio Codec
 - 2 DACs and 3 ADCs
 - Analog audio interfaces: HPOUTL/R, MICIN3P/N, LINEINL/R, FMINL/R
- Two I2S/PCM external interfaces (I2S1, I2S2)
- Maximum 8 digital PDM microphones (DMIC)
- OWA TX and OWA RX, compliance with S/PDIF interface
- Security System
 - AES, DES, 3DES, RSA, MD5, SHA, HMAC
 - Integrated 2 Kbits OTP storage space
- External Peripherals
 - USB 2.0 DRD (USB0) and USB 2.0 HOST (USB1)
 - 10/100/1000 Mbps Ethernet port with RGMII and RMII interfaces
 - Up to 6 UART controllers (UART0, UART1, UART2, UART3, UART4, UART5)
 - Up to 2 SPI controllers (SPI0, SPI1)
 - Up to 4 TWI controllers (TWI0, TWI1, TWI2, TWI3)
 - CIR RX and CIR TX
 - 8 independent PWM channels (PWM0 to PWM7)
 - 1-ch GPADC
 - 4-ch TPADC
 - LEDC
 - CAN (only for F133-B)
- Package
 - eLQFP128, 14 mm x 14 mm x 1.4 mm

Revision History

Revision	Date	Description
1.0	May 24, 2021	Initial release version.
1.1	June 11, 2021	Add caution description in section 7.2.
1.2	August 16, 2021	Add CAN for F133-B



Contents

The Most Cost-Effective Decoding Platform Processor	i
Revision History.....	i
Contents	ii
Figures.....	vi
Tables	viii
About This Documentation	1
1 Overview	3
1.1 Device Difference	3
2 Features.....	4
2.1 CPU Architecture.....	4
2.2 Memory Subsystem.....	4
2.2.1 Boot ROM (BROM)	4
2.2.2 SDRAM	4
2.2.3 SMHC.....	4
2.3 Video Engine	5
2.4 Video and Graphics.....	5
2.4.1 Display Engine (DE).....	5
2.4.2 De-interlacer (DI).....	6
2.4.3 Graphic 2D (G2D)	6
2.5 Video Output	6
2.5.1 RGB and LVDS LCD.....	6
2.5.2 MIPI DSI	7
2.5.3 CVBS OUT	7
2.6 Video Input	7
2.6.1 Parallel CSI.....	7
2.6.2 CVBS IN (Only for F133-B)	7
2.7 System Peripherals.....	8
2.7.1 Timer	8
2.7.2 High Speed Timer (HSTimer).....	8
2.7.3 Platform-Level Interrupt Controller (PLIC)	8
2.7.4 DMAC	8
2.7.5 Clock Controller Unit (CCU)	9

2.7.6	Thermal Sensor Controller (THS).....	9
2.7.7	LDO Power.....	9
2.7.8	RTC	9
2.7.9	I/O Memory Management Unit (IOMMU).....	10
2.8	Audio Subsystem.....	10
2.8.1	Audio Codec	10
2.8.2	I2S/PCM.....	11
2.8.3	DMIC.....	11
2.8.4	One Wire Audio (OWA)	11
2.9	Security System	12
2.9.1	Crypto Engine (CE).....	12
2.9.2	Security ID (SID).....	13
2.10	External Peripherals	13
2.10.1	USB DRD	13
2.10.2	USB HOST	14
2.10.3	EMAC.....	14
2.10.4	UART.....	14
2.10.5	SPI and SPI_DBI	15
2.10.6	Two Wire Interface (TWI).....	16
2.10.7	CIR Receiver (CIR_RX).....	16
2.10.8	CIR Transmitter (CIR_TX)	16
2.10.9	PWM.....	16
2.10.10	General Purpose ADC (GPADC)	17
2.10.11	Touch Panel ADC (TPADC)	17
2.10.12	LEDC	18
2.10.13	CAN	18
2.11	Package	18
3	Block Diagram	19
4	Pin Description	21
4.1	Pin Quantity	21
4.2	Pin Characteristics.....	21
4.3	GPIO Multiplex Function	28
4.4	Detailed Signal Description	31
5	Electrical Characteristics	40
5.1	Parameter Conditions	40

5.1.1	Minimum and Maximum Values	40
5.1.2	Typical Values	40
5.1.3	Temperature Definitions	40
5.2	Absolute Maximum Ratings	40
5.3	Recommended Operating Conditions	42
5.4	Power Consumption Parameters	44
5.5	DC Electrical Characteristics	45
5.6	SDIO Electrical Characteristics.....	46
5.7	GPADC Electrical Characteristics	47
5.8	Audio Codec Electrical Characteristics	48
5.9	External Clock Source Characteristics	49
5.9.1	High-speed Crystal/Ceramic Resonator Characteristics	49
5.9.2	Low-speed Crystal/Ceramic Resonator Characteristics	50
5.10	Internal Reset Electrical Characteristics	51
5.11	External Memory Electrical Characteristics	52
5.11.1	SMHC AC Electrical Characteristics	52
5.12	External Peripheral Electrical Characteristics.....	57
5.12.1	LCD AC Electrical Characteristics	57
5.12.2	CSI AC Electrical Characteristics	59
5.12.3	EMAC AC Electrical Characteristics.....	60
5.12.4	SPI AC Electrical Characteristics	62
5.12.5	SPI_DBI AC Electrical Characteristics.....	63
5.12.6	UART AC Electrical Characteristics	65
5.12.7	TWI AC Electrical Characteristics.....	66
5.12.8	I2S/PCM AC Electrical Characteristics	67
5.12.9	DMIC AC Electrical Characteristics	69
5.12.10	OWA AC Electrical Characteristics	69
5.12.11	CIR_RX AC Electrical Characteristics.....	70
5.13	Power-On and Power-Off Sequence.....	70
5.13.1	Power-On Sequence	70
5.13.2	Power-Off Sequence.....	71
6	Package Thermal Characteristics.....	73
7	Pin Assignment.....	74
7.1	Pin Map	74
7.2	Package Dimension	76

8	Carrier, Storage and Baking Information.....	77
8.1	Carrier	77
8.1.1	Matrix Tray Information	77
8.2	Storage	78
8.2.1	Moisture Sensitivity Level (MSL)	78
8.2.2	Bagged Storage Conditions	79
8.2.3	Out-of-bag Duration	79
8.3	Baking.....	79
9	Reflow Profile.....	81
10	FT/QA/QC Test.....	83
10.1	FT Test	83
10.2	QA Test.....	83
10.3	QC Test	83
11	Part Marking.....	84
11.1	F133-A	84
11.2	F133-B	84



Figures

Figure 3-1 F133 System Block Diagram.....	19
Figure 3-2 F133 Intelligent Speaker Solution	20
Figure 5-1 SDIO Voltage Waveform	46
Figure 5-2 SMHC HS-SDR Mode Output Timing Diagram	52
Figure 5-3 SMHC HS-SDR Mode Input Timing Diagram	53
Figure 5-4 SMHC HS-DDR Mode Output Timing Diagram.....	53
Figure 5-5 SMHC HS-DDR Mode Input Timing Diagram.....	54
Figure 5-6 SMHC HS200 Mode Output Timing Diagram.....	55
Figure 5-7 SMHC HS200 Mode Input Timing Diagram	56
Figure 5-8 HV_IF Interface Vertical Timing	57
Figure 5-9 HV_IF Interface Horizontal Timing.....	58
Figure 5-10 CSI Data Sample Timing	59
Figure 5-11 RGMII Interface Transmit Timing.....	60
Figure 5-12 RGMII Interface Receive Timing.....	60
Figure 5-13 RMII Interface Transmit Timing	61
Figure 5-14 RMII Interface Receive Timing	61
Figure 5-15 SPI Writing Timing.....	62
Figure 5-16 SPI Reading Timing.....	62
Figure 5-17 DBI 3-line Serial Interface Timing.....	63
Figure 5-18 DBI 4-line Serial Interface Timing.....	64
Figure 5-19 UART RX Timing	65
Figure 5-20 UART nCTS Timing.....	65
Figure 5-21 UART nRTS Timing.....	66
Figure 5-22 TWI Timing	66
Figure 5-23 I2S/PCM Timing in Master Mode.....	67
Figure 5-24 I2S/PCM Timing in Slave Mode.....	68
Figure 5-25 DMIC Timing	69
Figure 5-26 OWA Timing	69
Figure 5-27 CIR_RX Timing.....	70
Figure 5-28 Power-On Timing	71
Figure 5-29 Power-Off Timing.....	72
Figure 7-1 F133 Pin Map	74

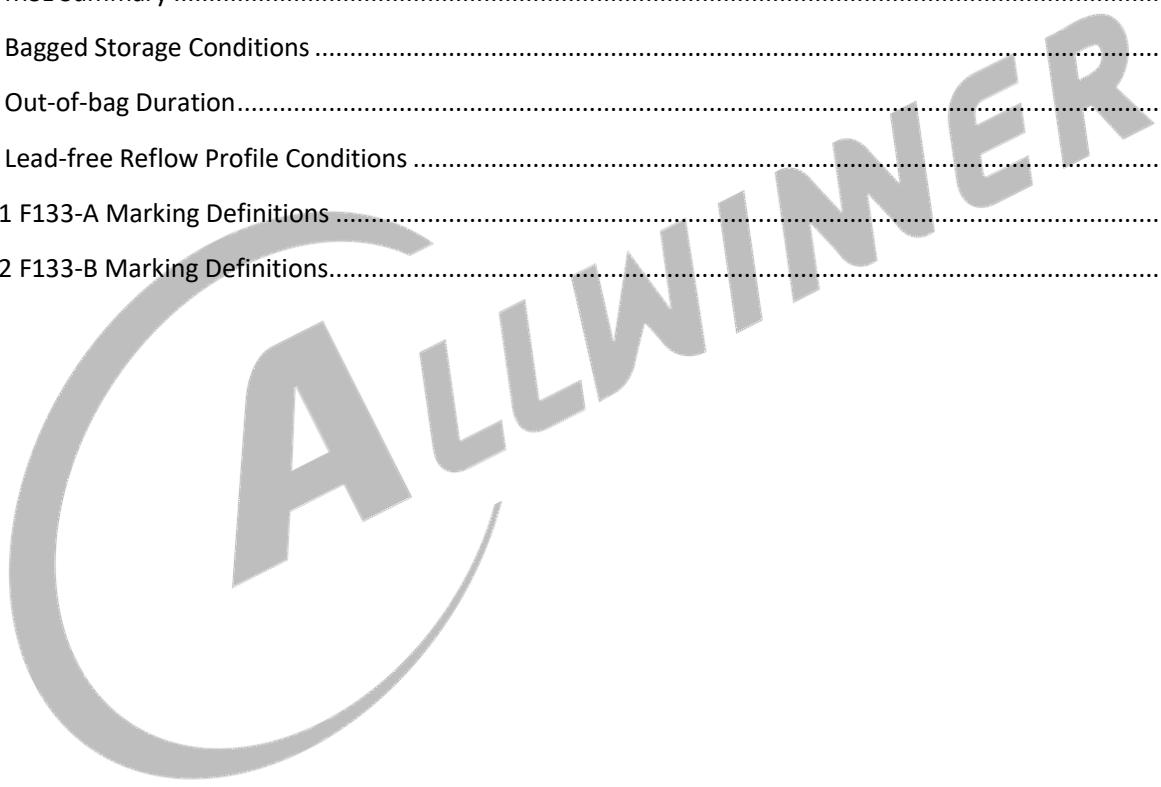
Figure 7-2 F133 Package Dimension	76
Figure 8-1 F133 Tray Dimension Drawing	78
Figure 9-1 Lead-free Reflow Profile	81
Figure 9-2 Measuring the Reflow Soldering Process	82
Figure 11-1 F133-A Marking.....	84
Figure 11-2 F133-B Marking.....	84



Tables

Table 1-1 Device Feature Differences	3
Table 4-1 F133 Pin Quantity.....	21
Table 4-2 Pin Characteristics.....	22
Table 4-3 GPIO Multiplex Function	28
Table 4-4 Detailed Signal Description	31
Table 5-1 Absolute Maximum Ratings	40
Table 5-2 Recommended Operating Conditions.....	42
Table 5-3 Power Consumption Parameters	44
Table 5-4 DC Electrical Characteristics.....	45
Table 5-5 3.3 V SDIO Electrical Parameters	46
Table 5-6 1.8 V SDIO Electrical Parameters	47
Table 5-7 GPADC Electrical Characteristics.....	47
Table 5-8 Audio Codec Typical Performance Parameters.....	48
Table 5-9 High-speed 24 MHz Crystal Circuit Characteristics.....	49
Table 5-10 Crystal Circuit Parameters.....	50
Table 5-11 Low-speed 32.768 kHz Crystal Circuit Characteristics	51
Table 5-12 Internal Reset Electrical Characteristics.....	51
Table 5-13 SMHC HS-SDR Mode Output Timing Constants	52
Table 5-14 SMHC HS-SDR Mode Input Timing Constants.....	53
Table 5-15 SMHC HS-DDR Mode Output Timing Constants	54
Table 5-16 SMHC HS-DDR Mode Input Timing Constants	54
Table 5-17 SMHC HS200 Mode Output Timing Constants.....	55
Table 5-18 SMHC HS200 Mode Input Timing Constants.....	56
Table 5-19 LCD HV_IF Interface Timing Constants.....	58
Table 5-20 CSI Interface Timing Constants	59
Table 5-21 RGMII Transmit Timing Constants	60
Table 5-22 RGMII Receive Timing Constants	60
Table 5-23 RMII Transmit Timing Constants.....	61
Table 5-24 RMII Receive Timing Constants.....	61
Table 5-25 SPI Timing Constants.....	62
Table 5-26 DBI 3-line Serial Interface Timing Parameters	63
Table 5-27 DBI 4-line Serial Interface Timing Parameters	64

Table 5-28 UART Timing Constants.....	66
Table 5-29 TWI Timing Parameters.....	67
Table 5-30 I2S/PCM Timing Constants in Master Mode.....	67
Table 5-31 I2S/PCM Timing Constants in Slave Mode.....	68
Table 5-32 DMIC Timing Constants.....	69
Table 5-33 OWA Timing Constants.....	69
Table 5-34 CIR_RX Timing Constants.....	70
Table 6-1 F133 Package Thermal Characteristics.....	73
Table 7-1 Pin Map Difference between F133-A and F133-B.....	74
Table 8-1 Matrix Tray Carrier Information.....	77
Table 8-2 F133 Packing Quantity Information.....	77
Table 8-3 MSL Summary.....	78
Table 8-4 Bagged Storage Conditions.....	79
Table 8-5 Out-of-bag Duration.....	79
Table 9-1 Lead-free Reflow Profile Conditions.....	81
Table 11-1 F133-A Marking Definitions.....	84
Table 11-2 F133-B Marking Definitions.....	85



About This Documentation

Purpose

The documentation describes features of each module, pin/signal characteristics, current consumption, interface timing, thermal and package, and part reliability of the F133 processor. For details about register descriptions of each module, see the [F133_User_Manual](#).

Intended Audience

The document is intended for:

- Hardware designers and maintenance personnel for electronics
- Sales personnel for electronic parts and components

Conventions

Symbol Conventions

The symbols that may be found in this document are defined as follows.




Symbol	Description
 WARNING	Indicates potential risk of injury or death exists if the instructions are not obeyed.
 CAUTION	Indicates potential risk of equipment damage, data loss, performance degradation, or unexpected results exists if the instructions are not obeyed.
 NOTE	Provides additional information to emphasize or supplement important points of the main text.

Table Content Conventions

The table content conventions that may be found in this document are defined as follows.

Symbol	Description
-	The cell is blank.

Numerical Conventions

The expressions of data capacity, frequency, and data rate are described as follows.

Type	Symbol	Value
Data capacity	1K	1024
	1M	1,048,576
	1G	1,073,741,824
Frequency, data rate	1k	1000
	1M	1,000,000
	1G	1,000,000,000



1 Overview

F133 is an advanced application processor designed for the video decoding platform. It integrates a 64-bit processor with RISC CPU instruction architecture to provide the most efficient computing power. F133 supports full format decoding such as H.265, H.264, MPEG-1/2/4, JPEG, VC1, and so on. The independent hardware encoder can encode in JPEG or MJPEG. Integrated multi ADCs/DACs and I2S/PCM/DMIC/OWA audio interfaces can work seamlessly with the CPU to accelerate multimedia algorithms and provide the perfect voice interaction solution. F133 supports rich display output interfaces to meet the requirements of the screen display in differentiated markets. F133 can be used in network video machines, advertising machines, digital photo frames, car MP5, and so on.

1.1 Device Difference

The F133 is configured with different sets of features in different devices. Table 1-1 shows the feature differences across different devices.

Table 1-1 Device Feature Differences

Contents	F133-A	F133-B
CVBS IN	No support	Support
CAN	No support	Support

2 Features

2.1 CPU Architecture

- RISC CPU
- 32 KB I-cache and 32 KB D-cache

2.2 Memory Subsystem

2.2.1 Boot ROM (BROM)

- On-chip memory
- Supports system boot from the following devices:
 - SD card
 - eMMC
 - SPI NOR Flash
 - SPI NAND Flash
- Supports mandatory upgrade process through USB and SD card
- Supports GPIO pin and eFuse module to select the boot media type

2.2.2 SDRAM

- Embedded with 64 MB DDR2
- Supports clock frequency up to 533 MHz for DDR2

2.2.3 SMHC

- Three SD/MMC host controller (SMHC) interfaces
- The SMHC0 controls the devices that comply with the protocol Secure Digital Memory (SD mem-version 3.0)
- The SMHC1 controls the device that complies with the protocol Secure Digital I/O (SDIO-version 3.0)
- The SMHC2 controls the device that complies with the protocol Multimedia Card (eMMC-version 5.0)
- Maximum performance:
 - SDR mode 150 MHz@1.8 V IO pad
 - DDR mode 50 MHz@1.8 V IO pad
 - DDR mode 50 MHz@3.3 V IO pad
- Supports 1-bit or 4-bit data width
- Supports block size of 1 to 65535 bytes

- Internal 1024-Bytes RX FIFO and 1024-Bytes TX FIFO
- Supports card insertion and removal interrupt
- Supports hardware CRC generation and error detection
- Supports descriptor-based internal DMA controller

2.3 Video Engine

- Video decoding
 - H.265 MP@L4.1 up to 1080p@60fps
 - H.264 BP/MP/HP@L4.2 up to 1080p@60fps
 - H.263 BP up to 1080p@60fps
 - MPEG-4 SP/ASP L5 up to 1080p@60fps
 - MPEG-2 MP/HL up to 1080p@60fps
 - MPEG-1 MP/HL up to 1080p@60fps
 - Xvid up to 1080p@60fps
 - Sorenson Spark up to 1080p@60fps
 - WMV9/VC-1 SP/MP/AP up to 1080p@60fps
 - MJPEG up to 1080p@30fps
- Video encoding
 - JPEG/MJPEG up to 1080p@60fps
 - Supports input picture scaler up/down

2.4 Video and Graphics

2.4.1 Display Engine (DE)

- Output size up to 2048 x 2048
- Supports two alpha blending channels for main display and one channel for aux display
- Supports four overlay layers in each channel, and has an independent scaler
- Supports potter-duff compatible blending operation
- Supports LBC buffer decoder
- Supports dither output to TCON
- Supports input format Semi-planar YUV422/YUV420/YUV411 and Planar YUV422/YUV420/YUV411, ARGB8888/XRGB8888/RGB888/ARGB4444/ARGB1555/RGB565/palette
- Supports SmartColor2.0 for excellent display experience
 - Adaptive detail/edge enhancement
 - Adaptive color enhancement

- Adaptive contrast enhancement and fresh tone rectify
- Supports write back for aux display

2.4.2 De-interlacer (DI)

- Supports YUV420 (Planar/NV12/NV21) and YUV422 (Planar/NV16/NV61) data format
- Supports video resolution from 32x32 to 2048x1280 pixel
- Supports Inter-field interpolation/motion adaptive de-interlace method
- Performance: module clock 600M for 1080p@60Hz YUV420

2.4.3 Graphic 2D (G2D)

- Supports layer size up to 2048 x 2048 pixels
- Supports pre-multiply alpha image data
- Supports color key
- Supports two pipes Porter-Duff alpha blending
- Supports multiple video formats 4:2:0, 4:2:2, 4:1:1 and multiple pixel formats (8/16/24/32 bits graphics layer)
- Supports memory scan order option
- Supports any format convert function
- Supports 1/16x to 32x resize ratio
- Supports 32-phase 8-tap horizontal anti-alias filter and 32-phase 4-tap vertical anti-alias filter
- Supports window clip
- Supports FillRectangle, BitBlit, StretchBlit and MaskBlit
- Supports horizontal and vertical flip, clockwise 0/90/180/270 degree rotate for normal buffer
- Supports horizontal flip, clockwise 0/90/270 degree rotate for LBC buffer

2.5 Video Output

2.5.1 RGB and LVDS LCD

- Supports RGB interface with DE/SYNC mode, up to 1920 x 1080@60fps
- Supports serial RGB/dummy RGB interface, up to 800 x 480@60fps
- Supports LVDS interface with dual link, up to 1920 x 1080@60fps
- Supports LVDS interface with single link, up to 1366 x 768@60fps
- Supports i8080 interface, up to 800 x 480@60fps
- Supports BT656 interface for NTSC and PAL

- RGB666 and RGB565 with dither function
- Gamma correction with R/G/B channel independence

2.5.2 MIPI DSI

- Compliance with MIPI DSI v1.01
- Supports 4-lane MIPI DSI, up to 1280 x 720@60fps and 1920 x 1200@60fps
- Supports non-burst mode with sync pulse/sync event and burst mode
- Supports pixel format: RGB888, RGB666, RGB666 loosely packed and RGB565
- Supports continuous and non-continuous lane clock modes
- Supports bidirectional communication of all generic commands in LP through data lane 0
- Supports low power data transmission
- Supports ULPS and escape modes

2.5.3 CVBS OUT

- 1-channel CVBS output
- Supports NTSC and PAL format
- Plug status auto detecting
- 10 bits DAC output

2.6 Video Input

2.6.1 Parallel CSI

- Supports 8-bit digital camera interface (RAW8/YUV422/YUV420)
- Supports BT656, BT601 interface (YUV422)
- Supports ITU-R BT.656 time-multiplexed format up to 2*1080p@30fps in DDR sample mode
- Maximum pixel clock of 148.5 MHz
- Supports de-interlacing for interlace video input
- Supports conversion from YUV422 to YUV420, YUV422 to YUV400, YUV420 to YUV400
- Supports horizontal and vertical flip

2.6.2 CVBS IN (Only for F133-B)

- 2-channel CVBS input and 1-channel CVBS decoder
- Supports NTSC and PAL format
- Supports YUV422/YUV420 format
- With 1 channel 3D comb filter

- Detection for signal locked and 625 lines
- Programmable brightness, contrast, and saturation
- 10-bit video ADCs

2.7 System Peripherals

2.7.1 Timer

- The timer module implements the timing and counting functions, which includes timer0, timer1, watchdog, and audio video synchronization (AVS)
- The timer0/timer1 is a 32-bit down counter. The timer0 and timer1 are completely consistent
- The watchdog is used to transmit a reset signal to reset the entire system when an exception occurs in the system
- The AVS is used to synchronize the audio and video. The AVS sub-block includes AVS0 and AVS1, which are completely consistent

2.7.2 High Speed Timer (HSTimer)

- The HSTimer module consists of HSTimer0 and HSTimer1. HSTimer0 and HSTimer1 are down counters that implement timing and counting functions. They are completely consistent.
- Configurable 56-bit down timer
- Supports 5 prescale factors
- The clock source is synchronized with AHB0 clock, much more accurate than other timers
- Supports 2 working modes: periodic mode and single counting mode
- Generates an interrupt when the count is decreased to 0

2.7.3 Platform-Level Interrupt Controller (PLIC)

- Sampling, priority arbitration and distribution for external interrupt sources
- The interrupt can be configured as machine mode and super user mode
- Up to 256 interrupt source sampling, supporting level interrupt and pulse interrupt
- 32 levels of interrupt priority
- Maintains independently the interrupt enable for each interrupt mode (machine/super user)
- Maintains independently the interrupt threshold for each interrupt mode (machine/super user)
- Configurable access permission for PLIC registers

2.7.4 DMAC

- Up to 16-ch DMA
- Provides 32 peripheral DMA requests for data reading and 32 peripheral DMA requests for data writing

- Flexible data width of 8/16/32/64-bit
- Programmable DMA burst length
- Supports linear and IO address modes
- Supports data transfer types with memory-to-memory, memory-to-peripheral, peripheral-to-memory, peripheral-to-peripheral
- Supports transferring data with a linked list
- DRQ response includes waiting mode and handshake mode
- DMA channel supports pause function
- Memory devices support non-aligned transform

2.7.5 Clock Controller Unit (CCU)

- 8 PLLs
- One on-chip RC oscillator
- Supports one external 24 MHz DCXO and one external 32.768 kHz oscillator
- Supports clock configuration and clock generation for corresponding modules
- Supports software-controlled clock gating and software-controlled reset for corresponding modules

2.7.6 Thermal Sensor Controller (THS)

- One thermal sensor located in CPU
- Temperature accuracy: $\pm 3^{\circ}\text{C}$ from 0°C to $+100^{\circ}\text{C}$, $\pm 5^{\circ}\text{C}$ from -25°C to $+125^{\circ}\text{C}$
- Averaging filter for thermal sensor reading
- Supports over-temperature protection interrupt and over-temperature alarm interrupt

2.7.7 LDO Power

- Integrated 2 LDOs (LDOA, LDOB)
- LDOA: 1.8 V power output, LDOB: 1.35 V/1.5 V/1.8 V power output
- LDOA for IO and analog module, LDOB for SDRAM
- Input voltage is 2.4 V to 3.6 V

2.7.8 RTC

- Implements time counter and timing wakeup
- Provides a 16-bit counter for counting day, 5-bit counter for counting hour, 6-bit counter for counting minute, 6-bit counter for counting second
- External connect a 32.768 kHz low-frequency oscillator for count clock

- Timer frequency is 1 kHz
- Configurable initial value by software anytime
- Supports timing alarm, and generates interrupt and wakeup the external devices
- 8 general purpose registers for storing power-off information

2.7.9 I/O Memory Management Unit (IOMMU)

- Supports virtual address to physical address mapping by hardware implementation
- Supports VE, CSI, DE, G2D, DI parallel address mapping
- Supports VE, CSI, DE, G2D, DI bypass function independently
- Supports VE, CSI, DE, G2D, DI pre-fetch independently
- Supports VE, CSI, DE, G2D, DI interrupt handing mechanism independently
- Supports 2 levels TLB (level1 TLB for special using, and level2 TLB for sharing)
- Supports TLB Fully cleared and Partially disabled
- Supports trigger PTW behavior when TLB miss
- Supports checking the permission

2.8 Audio Subsystem

2.8.1 Audio Codec

- Two audio digital-to-analog converter (DAC) channels
 - Supports 16-bit and 20-bit sample resolution
 - 8 kHz to 192 kHz DAC sample rate
 - 100 ± 2 dB SNR@A-weight, -85 ± 3 dB THD+N
- One audio output:
 - One stereo headphone output: HPOUTL/R
- Three audio analog-to-digital converter (ADC) channels
 - Supports 16-bit and 20-bit sample resolution
 - 8 kHz to 48 kHz ADC sample rate
 - 95 ± 3 dB SNR@A-weight, -80 ± 3 dB THD+N
- Three audio inputs:
 - One differential microphone input: MICIN3P/3N, or one single-end microphone input: MICIN3P
 - One stereo LINEIN input: LINEINL/R
 - One stereo FMIN input: FMINL/R
- Supports Dynamic Range Controller adjusting the DAC playback and ADC recording
- One 128x20-bits FIFO for DAC data transmit, one 128x20-bits FIFO for ADC data receive

- Programmable FIFO thresholds
- Supports interrupts and DMA
- Internal HPLDO output for HPVCC
- Internal ALDO output for AVCC

2.8.2 I2S/PCM

- Two I2S/PCM external interfaces (I2S1, I2S2) for connecting external power amplifier and MIC ADC
- Compliant with standard Philips Inter-IC sound (I2S) bus specification
 - Left-justified, Right-justified, PCM mode, and Time Division Multiplexing (TDM) format
 - Programmable PCM frame width: 1 BCLK width (short frame) and 2 BCLKs width (long frame)
- Transmit and Receive data FIFOs
 - Programmable FIFO thresholds
 - 128 depth x 32-bit width TXFIFO and 64 depth x 32-bit width RXFIFO
- Supports multiple function clock
 - Clock up to 24.576 MHz Data Output of I2S/PCM in Master mode (Only if the IO PAD and Peripheral I2S/PCM satisfy Timing Parameters)
 - Clock up to 12.288 MHz Data Input of I2S/PCM in Master mode
- Supports TX/RX DMA slave interface
- Supports multiple application scenarios
 - Up to 16 channels ($f_s = 48$ kHz) which has adjustable width from 8-bit to 32-bit
 - Sample rate from 8 kHz to 384 kHz (CHAN = 2)
 - 8-bit u-law and 8-bit A-law companded sample
- Supports master/slave mode

2.8.3 DMIC

- Supports maximum 8 digital PDM microphones
- Supports sample rate from 8 kHz to 48 kHz

2.8.4 One Wire Audio (OWA)

- One OWA TX and one OWA RX
- Compliance with S/PDIF interface
- IEC-60958 and IEC-61937 transmitter and receiver functionality
 - IEC-60958 supports 16-bit, 20-bit, and 24-bit data formats

- IEC-61937 uses the IEC-60958 series for the conveying of non-linear PCM bit streams, each sub-frame transmits 16-bit
- TXFIFO and RXFIFO
 - One 128×24bits TXFIFO and one 64×24bits RXFIFO for audio data transfer
 - Programmable FIFO thresholds
- Supports TX/RX DMA slave interface
- Supports multiple function clock
 - Separate clock for OWA TX and OWA RX
 - The clock of TX function includes 24.576 MHz and 22.579 MHz frequency
 - The clock of RX function includes 24.576*8MHz frequency
- Supports hardware parity on TX/RX
 - Hardware parity checking on the receiver
 - Hardware parity generation on the transmitter
- Supports channel status capture on the receiver
- Supports channel sample rate capture on the receiver
- Supports insertion detection for the receiver
- Supports channel status insertion for the transmitter
- Supports interrupts and DMA

2.9 Security System

2.9.1 Crypto Engine (CE)

- Supports Symmetrical algorithm for encryption and decryption: AES, DES, TDES
 - Supports ECB, CBC, CTS, CTR, CFB, OFB mode for AES
 - Supports 128/192/256-bit key for AES
 - Supports ECB, CBC, CTR mode for DES/TDES
- Supports Hash algorithm for tamper proofing: MD5, SHA, HMAC
 - Supports SHA1, SHA224, SHA256, SHA384, SHA512 for SHA
 - Supports HMAC-SHA1, HMAC-SHA256 for HMAC
 - Supports multi-package mode for MD5/SHA1/SHA224/SHA256/SHA384/SHA512
- Supports Asymmetrical algorithm for signature verification: RSA
 - RSA supports 512/1024/2048-bit width
- Supports 160-bit hardware PRNG with 175-bit seed
- Supports 256-bit hardware TRNG
- Internal DMA controller for data transfer with memory

2.9.2 Security ID (SID)

- Supports 2 Kbits eFuse
- Backup eFuse information by using SID_SRAM
- Burning the key to the SID
- Reading the key use status in the SID
- Loading the key to the CE

2.10 External Peripherals

2.10.1 USB DRD

- One USB 2.0 DRD (USB0), with integrated USB 2.0 analog PHY
- Complies with USB2.0 Specification
- Supports USB Host function
 - Compatible with Enhanced Host Controller Interface (EHCI) Specification, Version 1.0
 - Compatible with Open Host Controller Interface (OHCI) Specification, Version 1.0a
 - Supports High-Speed (HS, 480 Mbit/s), Full-Speed (FS, 12 Mbit/s), and Low-Speed (LS, 1.5 Mbit/s)
 - Supports only 1 USB Root port shared between EHCI and OHCI
- Supports USB Device function
 - Supports High-Speed (HS, 480 Mbit/s), Full-Speed (FS, 12 Mbit/s)
 - Supports bi-directional endpoint0 (EP0) for Control transfer
 - Up to 10 user-configurable endpoints (EP1+, EP1-, EP2+, EP2-, EP3+, EP3-, EP4+, EP4-, EP5+, EP5-) for Bulk transfer, Isochronous transfer and Interrupt transfer
 - Up to (8 KB + 64 Bytes) FIFO for all EPs (including EP0)
 - Support interface to an external Normal DMA controller for every EP
- Supports an internal DMA controller for data transfer with memory
- Supports High-Bandwidth Isochronous & Interrupt transfers
- Automated splitting/combining of packets for Bulk transfers
- Supports point-to-point and point-to-multipoint transfer in both Host and Peripheral modes
- Includes automatic ping capabilities
- Soft connect/disconnect function
- Performs all transaction scheduling in hardware
- Power optimization and power management capabilities
- Device and host controller share a 8K SRAM and a physical PHY

2.10.2 USB HOST

- One USB 2.0 HOST (USB1), with integrated USB 2.0 analog PHY
- Complies with USB2.0 Specification
- Supports USB2.0 Host function
 - Compatible with Enhanced Host Controller Interface (EHCI) Specification, Version 1.0
 - Compatible with Open Host Controller Interface (OHCI) Specification, Version 1.0a
 - Supports High-Speed (HS, 480 Mbit/s), Full-Speed (FS, 12 Mbit/s) and Low-Speed (LS, 1.5 Mbit/s) Device
 - Supports only 1 USB Root port shared between EHCI and OHCI
- An internal DMA Controller for data transfer with memory

2.10.3 EMAC

- One EMAC interface for connecting external Ethernet PHY
- 10/100/1000 Mbit/s Ethernet port with RGMII and RMII interfaces
- Compliant with IEEE 802.3-2002 standard
- Supports both full-duplex and half-duplex operations
- Provides the management data input/output (MDIO) interface for PHY device configuration and management with configurable clock frequencies
- Programmable frame length to support Standard or Jumbo Ethernet frames with sizes up to 16 KB
- Supports a variety of flexible address filtering modes
- Separate 32-bit status returned for transmission and reception packets
- Optimization for packet-oriented DMA transfers with frame delimiters
 - Supports linked-list descriptor list structure
 - Descriptor architecture, allowing large blocks of data transfer with minimum CPU intervention; each descriptor can transfer up to 4 KB of data
 - Comprehensive status reporting for normal operation and transfers with errors
- 4 KB TXFIFO for transmission packets and 16 KB RXFIFO for reception packets
- Programmable interrupt options for different operational conditions

2.10.4 UART

- Up to 6 UART controllers (UART0, UART1, UART2, UART3, UART4, UART5)
- UART0, UART4, UART5: 2-wire; UART1, UART2, UART3: 4-wire
- Compatible with industry-standard 16450/16550 UARTs
- Supports IrDA-compatible slow infrared (SIR) format
- Two separate FIFOs: one is RX FIFO, and the other is TX FIFO

- Each of them is 64 bytes (For UART0)
- Each of them is 256 bytes (For UART1, UART2, UART3, UART4, and UART5)
- The working reference clock is from the APB bus clock
 - Speed up to 4 Mbit/s with 64 MHz APB clock
 - Speed up to 1.5 Mbit/s with 24 MHz APB clock
- 5 to 8 data bits for RS-232 characters, or 9 bits RS-485 format
- 1, 1.5 or 2 stop bits
- Programmable parity (even, odd, or no parity)
- Supports TX/RX DMA slave controller interface
- Supports software/hardware flow control
- Supports RX DMA Master interface (Only for UART1)
- Supports auto-flow by using CTS & RTS (Only for UART1/2/3)

2.10.5 SPI and SPI_DBI

- Up to 2 SPI controllers (SPI0, SPI1)
- The SPI0 only supports SPI mode; The SPI1 supports SPI mode and display bus interface (DBI) mode
- SPI mode:
 - Full-duplex synchronous serial interface
 - Master/slave configurable
 - Mode0 to Mode3 are supported for both transmit and receive operations
 - 8-bit wide by 64-entry FIFO for both transmit and receive data
 - Polarity and phase of the Chip Select (SPI-CS) and SPI Clock (SPI-CLK) are configurable
 - Supports 3-wire/4-wire SPI
 - Supports programmable serial data frame length: 1-bit to 32-bit
 - Supports Standard SPI, Dual-Output/Dual-Input SPI, Dual IO SPI, Quad-Output/Quad-Input SPI
- DBI mode:
 - Supports DBI Type C 3 Line/4 Line Interface Mode
 - Supports 2 Data Lane Interface Mode
 - Supports RGB111/444/565/666/888 video format
 - Maximum resolution of RGB666 240 x 320@30Hz with single data lane
 - Maximum resolution of RGB888 240 x 320@60Hz or 320 x 480@30Hz with dual data lane
 - Supports Tearing effect
 - Supports software flexible control video frame rate

2.10.6 Two Wire Interface (TWI)

- Up to 4 TWI controllers (TWI0, TWI1, TWI2, TWI3)
- Compliant with I2C bus standard
- Supports standard mode (up to 100 kbit/s) and fast mode (up to 400 kbit/s)
- Supports 7-bit and 10-bit device addressing modes
- Supports master mode or slave mode
- Master mode features:
 - Supports the bus arbitration in the case of multiple master devices
 - Supports clock synchronization and bit and byte waiting
 - Supports packet transmission and DMA
- Slave mode features:
 - Interrupt on address detection
- The TWI controller includes one TWI engine and one TWI driver. And the TWI driver supports packet transmission and DMA mode when TWI works in master mode

2.10.7 CIR Receiver (CIR_RX)

- One CIR_RX interface (IR-RX)
- Full physical layer implementation
- Supports NEC format infra data
- Supports CIR for remote control or wireless keyboard
- 64x8 bits FIFO for data buffer
- Sample clock up to 1 MHz

2.10.8 CIR Transmitter (CIR_TX)

- One CIR_TX interface (IR-TX)
- Supports arbitrary wave generator
- Configurable carrier frequency
- Supports handshake mode and waiting mode of DMA
- 128 bytes FIFO for data buffer

2.10.9 PWM

- Supports 8 independent PWM channels (PWM0 to PWM7)
 - Supports PWM continuous mode output
 - Supports PWM pulse mode output, and the pulse number is configurable

- Output frequency range: 0 to 24 MHz or 100 MHz
- Various duty-cycle: 0% to 100%
- Minimum resolution: 1/65536
- Supports 4 complementary pairs output
 - PWM01 pair (PWM0 + PWM1), PWM23 pair (PWM2 + PWM3), PWM45 pair (PWM4 + PWM5), PWM67 pair (PWM6 + PWM7)
 - Supports dead-zone generator, and the dead-zone time is configurable
- Supports 4 group of PWM channel output for controlling stepping motors
 - Supports any plural channels to form a group, and output the same duty-cycle pulse
 - In group mode, the relative phase of the output waveform for each channel is configurable
- Supports 8 channels capture input
 - Supports rising edge detection and falling edge detection for input waveform pulse
 - Supports pulse-width measurement for input waveform pulse

2.10.10 General Purpose ADC (GPADC)

- 1-ch successive approximation register (SAR) analog-to-digital converter (ADC)
- 12-bit sampling resolution and 8-bit precision
- 64 FIFO depth of data register
- Power reference voltage: AVCC, analog input voltage range: 0 to AVCC
- Maximum sampling frequency up to 1 MHz
- Supports three operation modes: single conversion mode, continuous conversion mode, burst conversion mode

2.10.11 Touch Panel ADC (TPADC)

- 12 bit SAR type A/D converter
- Configurable sample frequency up to 1 MHz
- One 32x12 FIFO for storing A/D conversion result
- Supports DMA slave interface
- Supports 4-wire resistive touch panel input detection
 - Supports pen down detection with programmable sensitivity
 - Supports single touch coordinate measurement
 - Supports dual touch detection
 - Supports touch pressure measurement with programmable threshold
 - Supports median and averaging filter for noise reduction
 - Supports X and Y coordinate exchange function

- Supports Aux ADC with up to 4 channels

2.10.12 LEDC

- LEDC is used to control the external intelligent control LED lamp
- Configurable LED output high/low level width
- Configurable LED reset time
- LEDC data supports DMA configuration mode and CPU configuration mode
- Maximum 1024 LEDs serial connect
- LED data transfer rate up to 800 kbit/s

2.10.13 CAN (only for F133-B)

- Supports industry-standard AMBA Peripheral Bus (APB) and it is fully compliant with the AMBA Specification, Revision 2.0
- Supports APB 32-bit bus width operation
- Supports the CAN 2.0A and 2.0B protocol specification
- Supports one-shot transmission option
- Supports two configurable filter modes
- Supports listen only mode
- Supports self-test mode

2.11 Package

- eLQFP128, 14 mm x 14 mm x 1.4 mm

3 Block Diagram

Figure 3-1 shows the system block diagram of the F133.

Figure 3-1 F133 System Block Diagram

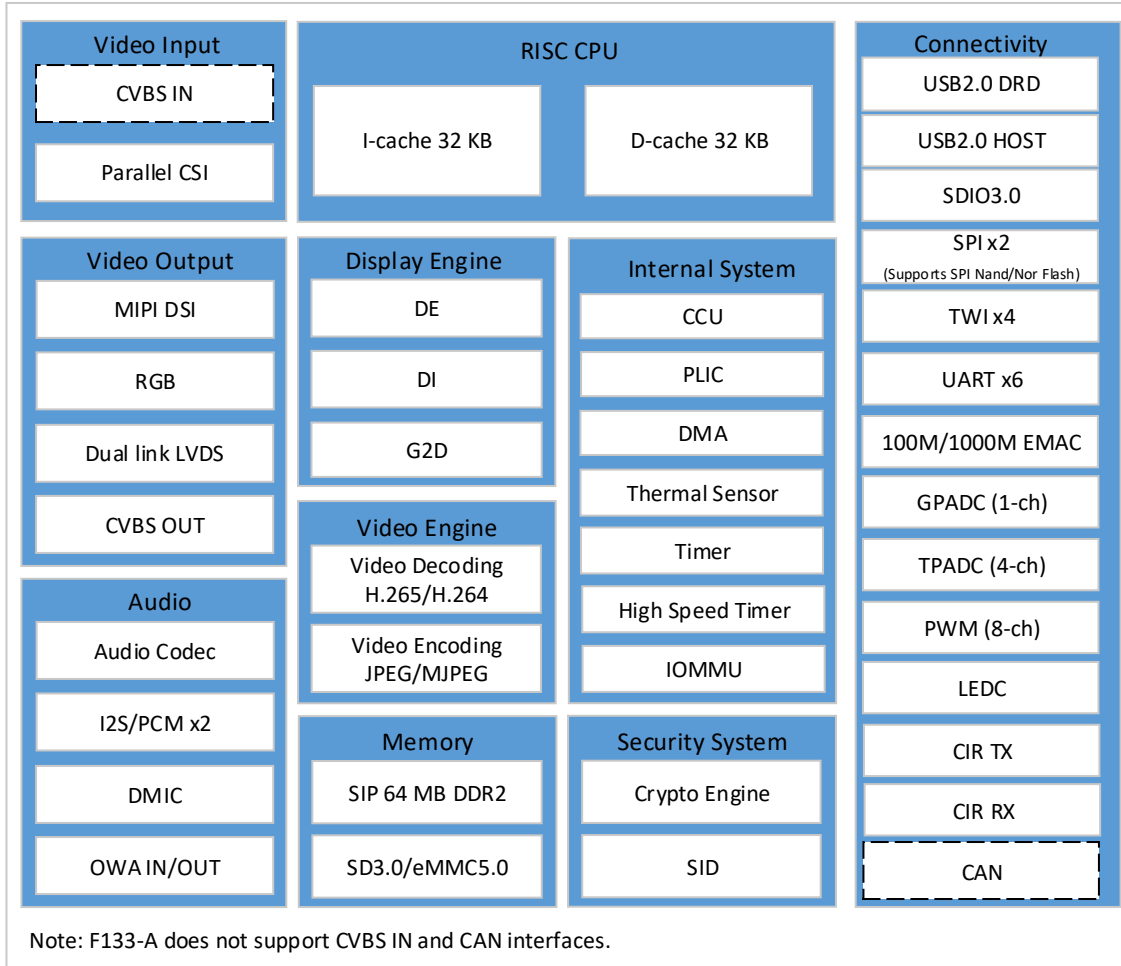
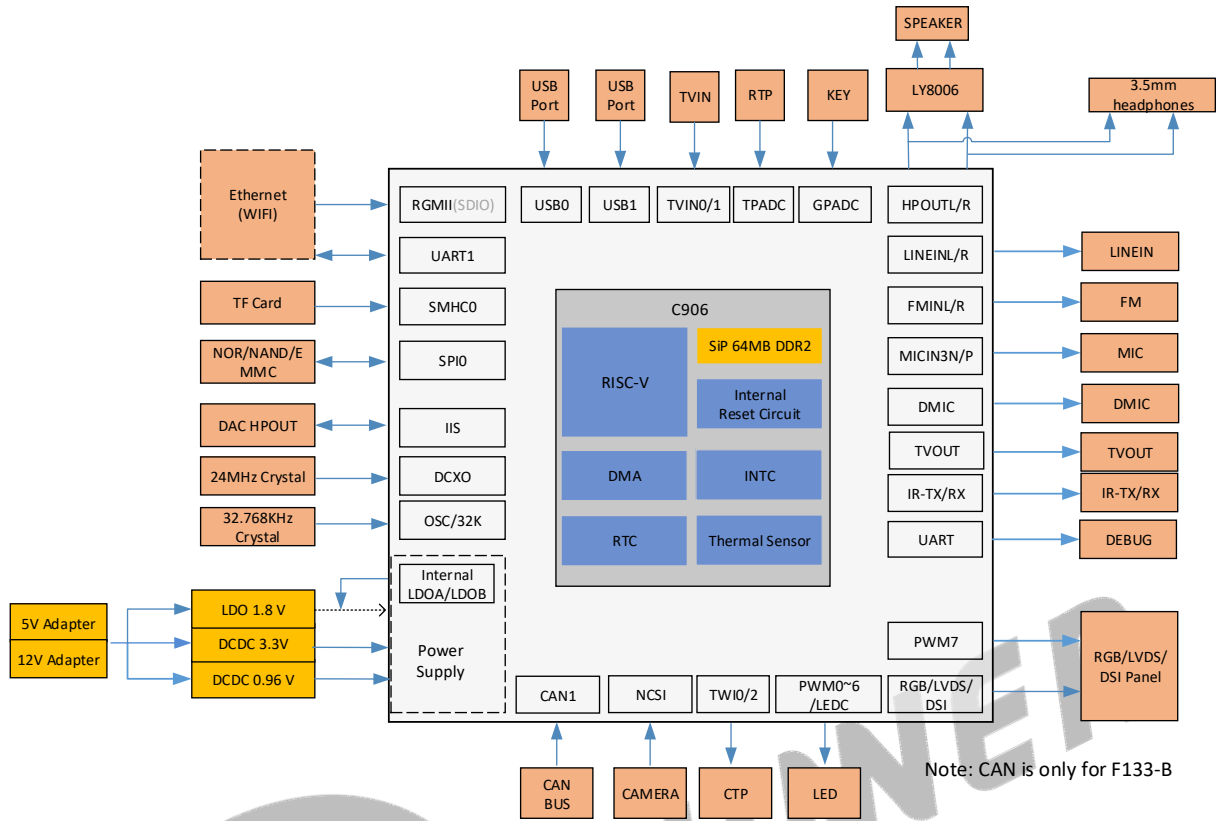


Figure 3-2 shows the intelligent speaker solution of the F133.

Figure 3-2 F133 Intelligent Speaker Solution



4 Pin Description

4.1 Pin Quantity

Table 4-1 lists the pin quantity of the F133.

Table 4-1 F133 Pin Quantity

Pin Type	F133-A Quantity	F133-B Quantity
I/O	99	101
NC	7	2
Power	18	21
Ground	1	1
DDR Power	3	3
Total	128	128

4.2 Pin Characteristics

Table 4-2 lists the characteristics of the F133 pins from the following seven aspects.

[1].**Ball#**: Package ball numbers associated with each signal.

[2].**Pin Name**: The name of the package pin.

[3].**Type**: Denotes the signal direction

I (Input),

O (Output),

I/O (Input/Output),

OD (Open-Drain),

A (Analog),

AI (Analog Input),

AO (Analog Output),

P (Power),

G (Ground)

[4].**Ball Reset State**: The state of the terminal at reset. PU: pull up; PD: pull down; Z: high impedance.

[5].**Pull Up/Down**: Denotes the presence of an internal pull-up or pull-down resistor. Pull-up and pull-down resistors can be enabled or disabled via software.

[6].**Default Buffer Strength**: Defines the default drive strength of the associated output buffer. The maximum drive strength of each GPIO is 6 mA.

[7].**Power Supply**: The voltage supply for the IO buffers of the terminal.

Table 4-2 Pin Characteristics

Ball# ^[1]	Pin Name ^[2]	Type ^[3]	Ball State ^[4]	Reset	Pull Up/Down ^[5]	Default Strength ^[6] (mA)	Buffer	Power Supply ^[7]
SDRAM								
48	VCC-DRAM0	P	NA		NA	NA		NA
49	VCC-DRAM1	P	NA		NA	NA		NA
50	VDD18-DRAM	P	NA		NA	NA		NA
GPIOB								
86	PB2	I/O	Z		PU/PD	4		VCC-IO
85	PB3	I/O	Z		PU/PD	4		VCC-IO
84	PB4	I/O	Z		PU/PD	4		VCC-IO
82	PB5	I/O	Z		PU/PD	4		VCC-IO
80	PB6	I/O	Z		PU/PD	4		VCC-IO
79	PB7	I/O	Z		PU/PD	4		VCC-IO
GPIOC								
19	PC2	I/O	Z		PU/PD	4		VCC-IO
18	PC3	I/O	PU		PU/PD	4		VCC-IO
17	PC4	I/O	PU		PU/PD	4		VCC-IO
16	PC5	I/O	PU		PU/PD	4		VCC-IO
15	PC6	I/O	Z		PU/PD	4		VCC-IO
14	PC7	I/O	Z		PU/PD	4		VCC-IO
GPIOD								
55	PD0	I/O	Z		PU/PD	4		VCC-PD
56	PD1	I/O	Z		PU/PD	4		VCC-PD
57	PD2	I/O	Z		PU/PD	4		VCC-PD
58	PD3	I/O	Z		PU/PD	4		VCC-PD
59	PD4	I/O	Z		PU/PD	4		VCC-PD

Ball# ^[1]	Pin Name ^[2]	Type ^[3]	Ball State ^[4]	Reset	Pull Up/Down ^[5]	Default Strength ^[6] (mA)	Buffer	Power Supply ^[7]
60	PD5	I/O	Z		PU/PD	4		VCC-PD
61	PD6	I/O	Z		PU/PD	4		VCC-PD
62	PD7	I/O	Z		PU/PD	4		VCC-PD
63	PD8	I/O	Z		PU/PD	4		VCC-PD
64	PD9	I/O	Z		PU/PD	4		VCC-PD
67	PD10	I/O	Z		PU/PD	4		VCC-PD
68	PD11	I/O	Z		PU/PD	4		VCC-PD
70	PD12	I/O	Z		PU/PD	4		VCC-PD
69	PD13	I/O	Z		PU/PD	4		VCC-PD
71	PD14	I/O	Z		PU/PD	4		VCC-PD
72	PD15	I/O	Z		PU/PD	4		VCC-PD
73	PD16	I/O	Z		PU/PD	4		VCC-PD
74	PD17	I/O	Z		PU/PD	4		VCC-PD
75	PD18	I/O	Z		PU/PD	4		VCC-PD
76	PD19	I/O	Z		PU/PD	4		VCC-PD
54	PD20	I/O	Z		PU/PD	4		VCC-PD
53	PD21	I/O	Z		PU/PD	4		VCC-PD
52	PD22	I/O	Z		PU/PD	4		VCC-PD
65	VCC-LVDS	P	NA		NA	NA		NA
66	VCC-PD	P	NA		NA	NA		NA
GPIOE								
44	PE0	I/O	Z		PU/PD	4		VCC-PE
45	PE1	I/O	Z		PU/PD	4		VCC-PE
35	PE2	I/O	Z		PU/PD	4		VCC-PE
33	PE3	I/O	Z		PU/PD	4		VCC-PE

Ball# ^[1]	Pin Name ^[2]	Type ^[3]	Ball State ^[4]	Reset	Pull Up/Down ^[5]	Default Strength ^[6] (mA)	Buffer	Power Supply ^[7]
43	PE4	I/O	Z		PU/PD	4		VCC-PE
42	PE5	I/O	Z		PU/PD	4		VCC-PE
41	PE6	I/O	Z		PU/PD	4		VCC-PE
40	PE7	I/O	Z		PU/PD	4		VCC-PE
39	PE8	I/O	Z		PU/PD	4		VCC-PE
38	PE9	I/O	Z		PU/PD	4		VCC-PE
37	PE10	I/O	Z		PU/PD	4		VCC-PE
36	PE11	I/O	Z		PU/PD	4		VCC-PE
32	PE12	I/O	Z		PU/PD	4		VCC-PE
31	PE13	I/O	Z		PU/PD	4		VCC-PE
34	VCC-PE	P	NA		NA	NA		NA
GPIOF								
7	PF0	I/O	Z		PU/PD	4		VCC-IO
8	PF1	I/O	Z		PU/PD	4		VCC-IO
9	PF2	I/O	Z		PU/PD	4		VCC-IO
10	PF3	I/O	Z		PU/PD	4		VCC-IO
11	PF4	I/O	Z		PU/PD	4		VCC-IO
12	PF5	I/O	Z		PU/PD	4		VCC-IO
13	PF6	I/O	Z		PU/PD	4		VCC-IO
GPIOG								
120	PG0	I/O	Z		PU/PD	4		VCC-PG
118	PG1	I/O	Z		PU/PD	4		VCC-PG
119	PG2	I/O	Z		PU/PD	4		VCC-PG
121	PG3	I/O	Z		PU/PD	4		VCC-PG
123	PG4	I/O	Z		PU/PD	4		VCC-PG

Ball# ^[1]	Pin Name ^[2]	Type ^[3]	Ball State ^[4]	Reset	Pull Up/Down ^[5]	Default Strength ^[6] (mA)	Buffer	Power Supply ^[7]
122	PG5	I/O	Z		PU/PD	4		VCC-PG
1	PG6	I/O	Z		PU/PD	4		VCC-PG
2	PG7	I/O	Z		PU/PD	4		VCC-PG
3	PG8	I/O	Z		PU/PD	4		VCC-PG
4	PG9	I/O	Z		PU/PD	4		VCC-PG
5	PG10	I/O	Z		PU/PD	4		VCC-PG
6	PG11	I/O	Z		PU/PD	4		VCC-PG
124	PG12	I/O	Z		PU/PD	4		VCC-PG
125	PG13	I/O	Z		PU/PD	4		VCC-PG
126	PG14	I/O	Z		PU/PD	4		VCC-PG
127	PG15	I/O	Z		PU/PD	4		VCC-PG
128	VCC-PG	P	NA		NA	NA		NA
System								
27	RESET	I, OD	NA		NA	NA		VCC-RTC
GPADC								
101	GPADC0	AI	NA		NA	NA		AVCC
TPADC								
102	TP-X1	AI	NA		NA	NA		AVCC
103	TP-X2	AI	NA		NA	NA		AVCC
104	TP-Y1	AI	NA		NA	NA		AVCC
105	TP-Y2	AI	NA		NA	NA		AVCC
USB								
114	USB0-DM	A I/O	NA		NA	NA		VCC-IO
115	USB0-DP	A I/O	NA		NA	NA		VCC-IO
113	USB1-DM	A I/O	NA		NA	NA		VCC-IO

Ball# ^[1]	Pin Name ^[2]	Type ^[3]	Ball State ^[4]	Reset	Pull Up/Down ^[5]	Default Strength ^[6] (mA)	Buffer	Power Supply ^[7]
112	USB1-DP	A I/O	NA		NA	NA		VCC-IO
CVBS OUT								
78	TVOUT0	AO	NA		NA	NA		VCC-TVOUT
77	VCC-TVOUT	P	NA		NA	NA		NA
CVBS IN (Only for F133-B) ⁽¹⁾								
108	TVIN0	AI	NA		NA	NA		VCC-TVIN
109	TVIN1	AI	NA		NA	NA		VCC-TVIN
110	TVIN-VRP	P	NA		NA	NA		VCC-TVIN
111	TVIN-VRN	P	NA		NA	NA		VCC-TVIN
107	VCC-TVIN	P	NA		NA	NA		NA
Audio Codec								
87	MICIN3P	AI	NA		NA	NA		AVCC
88	MICIN3N	AI	NA		NA	NA		AVCC
93	FMINR	AI	NA		NA	NA		AVCC
94	FMINL	AI	NA		NA	NA		AVCC
95	LINEINR	AI	NA		NA	NA		AVCC
96	LINEINL	AI	NA		NA	NA		AVCC
98	HPOUTR	AO	NA		NA	NA		HPVCC
99	HPOUTL	AO	NA		NA	NA		HPVCC
100	HPOUTFB	AI	NA		NA	NA		HPVCC
97	HPVCC	P	NA		NA	NA		NA
92	VRA1	AO	NA		NA	NA		AVCC
90	VRA2	AO	NA		NA	NA		AVCC
89	AVCC	P	NA		NA	NA		NA
91	AGND	G	NA		NA	NA		NA

Ball# ^[1]	Pin Name ^[2]	Type ^[3]	Ball State ^[4]	Reset	Pull Up/Down ^[5]	Default Strength ^[6] (mA)	Buffer	Power Supply ^[7]
RTC & PLL								
25	X32KIN	AI	NA		NA	NA		VCC-RTC
24	X32KOUT	AO	NA		NA	NA		VCC-RTC
26	VCC-RTC	P	NA		NA	NA		NA
20	VCC-PLL	P	NA		NA	NA		NA
DCXO								
23	DXIN	AI	NA		NA	NA		VCC-PLL
22	DXOUT	AO	NA		NA	NA		VCC-PLL
21	REFCLK-OUT	AO	NA		NA	NA		VCC-PLL
NC								
47	NC	NA	NA		NA	NA		NA
106	NC0	NA	NA		NA	NA		NA
Power								
29	LDO-IN	P	NA		NA	NA		NA
28	LDOA-OUT	P	NA		NA	NA		NA
30	LDOB-OUT	P	NA		NA	NA		NA
83	VCC-IO	P	NA		NA	NA		NA
46	VDD-SYS0	P	NA		NA	NA		NA
51	VDD-SYS1	P	NA		NA	NA		NA
81	VDD-SYS2	P	NA		NA	NA		NA
116	VDD-CORE0	P	NA		NA	NA		NA
117	VDD-CORE1	P	NA		NA	NA		NA

(1) For F133-A, these pins (107, 108, 109, 110, 111) are NC.

4.3 GPIO Multiplex Function

The following table provides a description of the F133 GPIO multiplex function.



NOTE

For each GPIO, Function0 is input function; Function1 is output function; Function9 to Function13 are reserved.

Table 4-3 GPIO Multiplex Function

Pin Name	GPIO Group	IO Type	Function2	Function3	Function4	Function5	Function6	Function7	Function8	Function14
PB2	GPIOB	I/O	LCD0-D0	I2S2-DOUT2	TWI0-SDA	I2S2-DIN2	LCD0-D18	UART4-TX		PB-EINT2
PB3		I/O	LCD0-D1	I2S2-DOUT1	TWI0-SCK	I2S2-DIN0	LCD0-D19	UART4-RX		PB-EINT3
PB4		I/O	LCD0-D8	I2S2-DOUT0	TWI1-SCK	I2S2-DIN1	LCD0-D20	UART5-TX		PB-EINT4
PB5		I/O	LCD0-D9	I2S2-BCLK	TWI1-SDA	PWM0	LCD0-D21	UART5-RX		PB-EINT5
PB6		I/O	LCD0-D16	I2S2-LRCK	TWI3-SCK	PWM1	LCD0-D22	UART3-TX	CPUBIST0	PB-EINT6
PB7		I/O	LCD0-D17	I2S2-MCLK	TWI3-SDA	IR-RX	LCD0-D23	UART3-RX	CPUBIST1	PB-EINT7
PC2	GPIOC	I/O	SPI0-CLK	SDC2-CLK						PC-EINT2
PC3		I/O	SPI0-CS0	SDC2-CMD						PC-EINT3
PC4		I/O	SPI0-MOSI	SDC2-D2	BOOT-SEL0					PC-EINT4
PC5		I/O	SPI0-MISO	SDC2-D1	BOOT-SEL1					PC-EINT5
PC6		I/O	SPI0-WP	SDC2-D0	UART3-TX	TWI3-SCK	DBG-CLK			PC-EINT6
PC7		I/O	SPI0-HOLD	SDC2-D3	UART3-RX	TWI3-SDA	TCON-TRIG			PC-EINT7
PD0	GPIOD	I/O	LCD0-D2	LVDS0-V0P	DSI-D0P	TWI0-SCK				PD-EINT0
PD1		I/O	LCD0-D3	LVDS0-V0N	DSI-D0N	UART2-TX				PD-EINT1
PD2		I/O	LCD0-D4	LVDS0-V1P	DSI-D1P	UART2-RX				PD-EINT2
PD3		I/O	LCD0-D5	LVDS0-V1N	DSI-D1N	UART2-RTS				PD-EINT3
PD4		I/O	LCD0-D6	LVDS0-V2P	DSI-CKP	UART2-CTS				PD-EINT4
PD5		I/O	LCD0-D7	LVDS0-V2N	DSI-CKN	UART5-TX				PD-EINT5
PD6		I/O	LCD0-D10	LVDS0-CKP	DSI-D2P	UART5-RX				PD-EINT6
PD7		I/O	LCD0-D11	LVDS0-CKN	DSI-D2N	UART4-TX				PD-EINT7
PD8		I/O	LCD0-D12	LVDS0-V3P	DSI-D3P	UART4-RX				PD-EINT8
PD9		I/O	LCD0-D13	LVDS0-V3N	DSI-D3N	PWM6				PD-EINT9
PD10		I/O	LCD0-D14	LVDS1-V0P	SPI1-CS/DBI-CSX	UART3-TX				PD-EINT10
PD11		I/O	LCD0-D15	LVDS1-V0N	SPI1-CLK/DBI-SCLK	UART3-RX				PD-EINT11
PD12		I/O	LCD0-D18	LVDS1-V1P	SPI1-MOSI/DBI-SDO	TWI0-SDA				PD-EINT12
PD13		I/O	LCD0-D19	LVDS1-V1N	SPI1-MISO/DBI-SDI/ DBI-TE/DBI-DCX	UART3-RTS				PD-EINT13
PD14		I/O	LCD0-D20	LVDS1-V2P	SPI1-HOLD/DBI-DCX /DBI-WRX	UART3-CTS				PD-EINT14
PD15		I/O	LCD0-D21	LVDS1-V2N	SPI1-WP/DBI-TE	IR-RX				PD-EINT15
PD16		I/O	LCD0-D22	LVDS1-CKP	DMIC-DATA3	PWM0				PD-EINT16
PD17	I/O	LCD0-D23	LVDS1-CKN	DMIC-DATA2	PWM1				PD-EINT17	

Pin Name	GPIO Group	IO Type	Function2	Function3	Function4	Function5	Function6	Function7	Function8	Function14
PD18		I/O	LCD0-CLK	LVDS1-V3P	DMIC-DATA1	PWM2				PD-EINT18
PD19		I/O	LCD0-DE	LVDS1-V3N	DMIC-DATA0	PWM3				PD-EINT19
PD20		I/O	LCD0-HSYNC	TWI2-SCK	DMIC-CLK	PWM4				PD-EINT20
PD21		I/O	LCD0-VSYNC	TWI2-SDA	UART1-TX	PWM5				PD-EINT21
PD22		I/O	OWA-OUT	IR-RX	UART1-RX	PWM7				PD-EINT22
PE0	GPIOE	I/O	NCSI0-HSYNC	UART2-RTS	TWI1-SCK	LCD0-HSYNC			RGMII-RXCTRL/ RMII-CRS-DV	PE-EINT0
PE1		I/O	NCSI0-VSYNC	UART2-CTS	TWI1-SDA	LCD0-VSYNC			RGMII-RXD0/ RMII-RXD0	PE-EINT1
PE2		I/O	NCSI0-PCLK	UART2-TX	TWI0-SCK	CLK-FANOUT0	UART0-TX		RGMII-RXD1/ RMII-RXD1	PE-EINT2
PE3		I/O	NCSI0-MCLK	UART2-RX	TWI0-SDA	CLK-FANOUT1	UART0-RX		RGMII-TXCK/ RMII-TXCK	PE-EINT3
PE4		I/O	NCSI0-D0	UART4-TX	TWI2-SCK	CLK-FANOUT2		R-JTAG-MS	RGMII-TXD0/ RMII-TXD0	PE-EINT4
PE5		I/O	NCSI0-D1	UART4-RX	TWI2-SDA	LEDC-DO		R-JTAG-DI	RGMII-TXD1/ RMII-TXD1	PE-EINT5
PE6		I/O	NCSI0-D2	UART5-TX	TWI3-SCK	OWA-IN		R-JTAG-DO	RGMII-TXCTRL/ RMII-TXEN	PE-EINT6
PE7		I/O	NCSI0-D3	UART5-RX	TWI3-SDA	OWA-OUT		R-JTAG-CK	RGMII-CLKIN/ RMII-RXER	PE-EINT7
PE8		I/O	NCSI0-D4	UART1-RTS	PWM2	UART3-TX			MDC	PE-EINT8
PE9		I/O	NCSI0-D5	UART1-CTS	PWM3	UART3-RX			MDIO	PE-EINT9
PE10		I/O	NCSI0-D6	UART1-TX	PWM4	IR-RX			EPHY-25M	PE-EINT10
PE11		I/O	NCSI0-D7	UART1-RX					RGMII-TXD2	PE-EINT11
PE12		I/O	TWI2-SCK	NCSI0-FIELD					RGMII-TXD3	PE-EINT12
PE13	I/O	TWI2-SDA	PWM5			DMIC-DATA3		RGMII-RXD2	PE-EINT13	
PF0	GPIOF	I/O	SDC0-D1		R-JTAG-MS	I2S2-DOUT1	I2S2-DIN0			PF-EINT0
PF1		I/O	SDC0-D0		R-JTAG-DI	I2S2-DOUT0	I2S2-DIN1			PF-EINT1
PF2		I/O	SDC0-CLK	UART0-TX	TWI0-SCK	LEDC-DO	OWA-IN			PF-EINT2
PF3		I/O	SDC0-CMD		R-JTAG-DO	I2S2-BCLK				PF-EINT3
PF4		I/O	SDC0-D3	UART0-RX	TWI0-SDA	PWM6	IR-TX			PF-EINT4
PF5		I/O	SDC0-D2		R-JTAG-CK	I2S2-LRCK				PF-EINT5
PF6	I/O		OWA-OUT	IR-RX	I2S2-MCLK	PWM5			PF-EINT6	
PG0	GPIOG	I/O	SDC1-CLK	UART3-TX	RGMII-RXCTRL/ RMII-CRS-DV	PWM7				PG-EINT0
PG1		I/O	SDC1-CMD	UART3-RX	RGMII-RXD0/ RMII-RXD0	PWM6				PG-EINT1
PG2		I/O	SDC1-D0	UART3-RTS	RGMII-RXD1/ RMII-RXD1	UART4-TX				PG-EINT2
PG3		I/O	SDC1-D1	UART3-CTS	RGMII-TXCK/ RMII-TXCK	UART4-RX				PG-EINT3
PG4		I/O	SDC1-D2	UART5-TX	RGMII-TXD0/ RMII-TXD0	PWM5				PG-EINT4

Pin Name	GPIO Group	IO Type	Function2	Function3	Function4	Function5	Function6	Function7	Function8	Function14
					RMII-TXD0					
PG5		I/O	SDC1-D3	UART5-RX	RGMII-TXD1/ RMII-TXD1	PWM4				PG-EINT5
PG6		I/O	UART1-TX	TWI2-SCK	RGMII-TXD2	PWM1				PG-EINT6
PG7		I/O	UART1-RX	TWI2-SDA	RGMII-TXD3	OWA-IN				PG-EINT7
PG8		I/O	UART1-RTS	TWI1-SCK	RGMII-RXD2	UART3-TX				PG-EINT8
PG9		I/O	UART1-CTS	TWI1-SDA	RGMII-RXD3	UART3-RX				PG-EINT9
PG10		I/O	PWM3	TWI3-SCK	RGMII-RXCK	CLK-FANOUT0	IR-RX			PG-EINT10
PG11		I/O	I2S1-MCLK	TWI3-SDA	EPHY-25M	CLK-FANOUT1	TCON-TRIG			PG-EINT11
PG12		I/O	I2S1-LRCK	TWI0-SCK	RGMII-TXCTRL/ RMII-TXEN	CLK-FANOUT2	PWM0	UART1-TX		PG-EINT12
PG13		I/O	I2S1-BCLK	TWI0-SDA	RGMII-CLKIN/ RMII-RXER	PWM2	LEDC-DO	UART1-RX		PG-EINT13
PG14		I/O	I2S1-DIN0	TWI2-SCK	MDC	I2S1-DOUT1	SPI0-WP	UART1-RTS		PG-EINT14
PG15		I/O	I2S1-DOUT0	TWI2-SDA	MDIO	I2S1-DIN1	SPI0-HOLD	UART1-CTS		PG-EINT15



4.4 Detailed Signal Description

Table 4-4 shows the detailed function description of every signal based on the different interface.

[1].**Signal Name**: The name of every signal.

[2].**Description**: The detailed function description of every signal.

[3].**Type**: Denotes the signal direction:

- I (Input),
- O (Output),
- I/O (Input/Output),
- OD (Open-Drain),
- A (Analog),
- AI (Analog Input),
- AO (Analog Output),
- A I/O (Analog Input/Output),
- P (Power),
- G (Ground)

Table 4-4 Detailed Signal Description

Signal Name ^[1]	Description ^[2]	Type ^[3]
DRAM		
VDD18-DRAM	DRAM Controller Power Supply	P
VCC-DRAM0, VCC-DRAM1	DRAM Power Supply	P
System Control		
BOOT-SEL[1:0]	Boot Media Select	I
RESET	Reset Signal (low active)	I, OD
Clock		
X32KIN	Clock Input of 32.768 kHz Crystal	AI
X32KOUT	Clock Output of 32.768 kHz Crystal	AO
VCC-RTC	RTC Power	P
VCC-PLL	PLL Power Supply	P
DCXO		

Signal Name ^[1]	Description ^[2]	Type ^[3]
REFCLK-OUT	Digital Compensated Crystal Oscillator Clock Fanout	AO
DXIN	Digital Compensated Crystal Oscillator Input	AI
DXOUT	Digital Compensated Crystal Oscillator Output	AO
USB		
USB0-DM	USB DRD Data Signal DM	A I/O
USB0-DP	USB DRD Data Signal DP	A I/O
USB1-DM	USB HOST Data Signal DM	A I/O
USB1-DP	USB HOST Data Signal DP	A I/O
GPADC		
GPADC0	General Purpose ADC Input Channel 0	AI
TPADC		
TP-X1	Touch Panel X1 Input	AI
TP-X2	Touch Panel X2 Input	AI
TP-Y1	Touch Panel Y1 Input	AI
TP-Y2	Touch Panel Y2 Input	AI
CVBS OUT		
TVOUT0	TV CVBS Output	AO
VCC-TVOUT	TV CVBS DAC Power	P
CVBS IN (Only for F133-B)		
TVIN0	TV CVBS Input 0	AI
TVIN1	TV CVBS Input 1	AI
TVIN-VRP	TV CVBS ADC Positive Reference Voltage	P
TVIN-VRN	TV CVBS ADC Negative Reference Voltage	P
VCC-TVIN	TV CVBS ADC Power	P
AUDIO CODEC		

Signal Name ^[1]	Description ^[2]	Type ^[3]
HPOUTR	Headphone Right Output	AO
HPOUTL	Headphone Left Output	AO
HPOUTFB	Pseudo Differential Headphone Ground Reference	AI
HPVCC	Headphone Power	P
MICIN3P	Microphone Differential Positive Input 3	AI
MICIN3N	Microphone Differential Negative Input 3	AI
FMINR	FMIN Right Input	AI
FMINL	FMIN Left Input	AI
LINEINR	LINEIN Right Single-End Input	AI
LINEINL	LINEIN Left Single-End Input	AI
VRA1	Internal Reference Voltage	AO
VRA2	Internal Reference Voltage	AO
AVCC	Power Supply for Analog Part	P
AGND	Analog Ground	G
LCD		
LCD-D[23:0]	LCD Data Output	O
LCD0-CLK	LCD Clock The pixel data are synchronized by this clock	O
LCD0-VSYNC	LCD Vertical Sync It indicates one new frame	O
LCD0-HSYNC	LCD Horizontal Sync It indicates one new scan line	O
LCD0-DE	LCD Data Output Enable	O
TCON-TRIG	LCD Sync (TCON outputs to LCD for sync)	O
LVDS		
LVDS0-CKP	LVDS0 Positive Port of Clock	O

Signal Name ^[1]	Description ^[2]	Type ^[3]
LVDS0-CKN	LVDS0 Negative Port of Clock	O
LVDS0-V[3:0]P	LVDS0 Positive Port of Data Channel [3:0]	O
LVDS0-V[3:0]N	LVDS0 Negative Port of Data Channel [3:0]	O
LVDS1-CKP	LVDS1 Positive Port of Clock	O
LVDS1-CKN	LVDS1 Negative Port of Clock	O
LVDS1-V[3:0]P	LVDS1 Positive Port of Data Channel [3:0]	O
LVDS1-V[3:0]N	LVDS1 Negative Port of Data Channel [3:0]	O
DSI		
DSI-D[3:0]P	DSI Differential Data [3:0] Positive Signal	O
DSI-D[3:0]N	DSI Differential Data [3:0] Negative Signal	O
DSI-CKP	DSI Differential Clock Positive Signal	O
DSI-CKN	DSI Differential Clock Negative Signal	O
Parallel CSI		
NCSI0-PCLK	Parallel CSI Pixel Clock	I
NCSI0-MCLK	Parallel CSI Master Clock	O
NCSI0-HSYNC	Parallel CSI Horizontal Synchronous	I
NCSI0-VSYNC	Parallel CSI Vertical Synchronous	I
NCSI0-D[7:0]	Parallel CSI Data Bit	I
NCSI0-FIELD	Parallel CSI Field Index	I
SMHC		
SDC0-CMD	Command Signal for SD Card	I/O, OD
SDC0-CLK	Clock for SD Card	O
SDC0-D[3:0]	Data Input and Output for SD Card	I/O
SDC1-CMD	Command Signal for SDIO WIFI	I/O, OD
SDC1-CLK	Clock for SDIO WIFI	O

Signal Name ^[1]	Description ^[2]	Type ^[3]
SDC1-D[3:0]	Data Input and Output for SDIO WIFI	I/O
SDC2-CMD	Command Signal for eMMC	I/O, OD
SDC2-CLK	Clock for eMMC	O
SDC2-D[3:0]	Data Input and Output for eMMC	I/O
I2S/PCM		
I2S1-MCLK	I2S1 Master Clock	O
I2S1-LRCK	I2S1/PCM1 Sample Rate Clock/Sync	I/O
I2S1-BCLK	I2S1/PCM1 Bit Rate Clock	I/O
I2S1-DOUT[1:0]	I2S1/PCM1 Serial Data Output Channel [1:0]	O
I2S1-DIN[1:0]	I2S1/PCM1 Serial Data Input Channel [1:0]	I
I2S2-MCLK	I2S2 Master Clock	O
I2S2-LRCK	I2S2/PCM2 Sample Rate Clock/Sync	I/O
I2S2-BCLK	I2S2/PCM2 Bit Rate Clock	I/O
I2S2-DOUT[2:0]	I2S2/PCM2 Serial Data Output Channel [2:0]	O
I2S2-DIN[2:0]	I2S2/PCM2 Serial Data Input Channel [2:0]	I
DMIC		
DMIC-CLK	Digital Microphone Clock Output	O
DMIC-DATA[3:0]	Digital Microphone Data Input	I
EMAC		
RGMII-RXD3	RGMII Receive Data3	I
RGMII-RXD2	RGMII Receive Data2	I
RGMII-RXD1/RMII-RXD1	RGMII/RMII Receive Data1	I
RGMII-RXD0/RMII-RXD0	RGMII/RMII Receive Data0	I
RGMII-RXCK	RGMII Receive Clock	I
RGMII-RXCTRL/RMII-CRS-DV	RGMII Receive Control/RMII Carrier Sense Receive Data Valid	I

Signal Name ^[1]	Description ^[2]	Type ^[3]
RGMII-CLKIN/RMII-RXER	RGMII Transmit Clock from External/RMII Receive Error	I
RGMII-TXD3	RGMII Transmit Data3	O
RGMII-TXD2	RGMII Transmit Data2	O
RGMII-TXD1/RMII-TXD1	RGMII/RMII Transmit Data1	O
RGMII-TXD0/RMII-TXD0	RGMII/RMII Transmit Data0	O
RGMII-TXCK/RMII-TXCK	RGMII/RMII Transmit Clock For RGMII, IO type is output; For RMII, IO type is input	I/O
RGMII-TXCTRL/RMII-TXEN	RGMII Transmit Control/RMII Transmit Enable	O
MDC	RGMII/RMII Management Data Clock	O
MDIO	RGMII/RMII Management Data Input/Output	I/O
EPHY-25M	25 MHz Output for EMAC PHY	O
OWA		
OWA-IN	One Wire Audio Input	I
OWA-OUT	One Wire Audio Output	O
LEDC		
LEDC-DO	Intelligent Control LED Signal Output	O
Interrupt		
PB-EINT[7:2]	GPIO B Interrupt	I
PC-EINT[7:2]	GPIO C Interrupt	I
PD-EINT[22:0]	GPIO D Interrupt	I
PE-EINT[13:0]	GPIO E Interrupt	I
PF-EINT[6:0]	GPIO F Interrupt	I
PG-EINT[15:0]	GPIO G Interrupt	I
CIR Receiver		

Signal Name ^[1]	Description ^[2]	Type ^[3]
IR-RX	Consumer Infrared Receiver	I
CIR Transmitter		
IR-TX	Consumer Infrared Transmitter	O
PWM		
PWM[7:0]	Pulse Width Modulation Output Channel [7:0]	I/O
SPI&SPI_DBI		
SPI0-CS	SPI0 Chip Select Signal, Low Active	I/O
SPI0-CLK	SPI0 Clock Signal Provides serial interface timing.	I/O
SPI0-MOSI	SPI0 Master Data Out, Slave Data In	I/O
SPI0-MISO	SPI0 Master Data In, Slave Data Out	I/O
SPI0-WP	SPI0 Write Protect, Low Active Protects the memory area against all program or erase instructions. It also can be used for serial data input and output for SPI Quad Input or Quad Output mode.	I/O
SPI0-HOLD	SPI0 Hold Signal Pauses any serial communication with the device without deselecting or resetting it. It also can be used for serial data input and output for SPI Quad Input or Quad Output mode.	I/O
SPI1-CS	SPI1 Chip Select Signal, Low Active	I/O
SPI1-CLK	SPI1 Clock Signal Provides serial interface timing.	I/O
SPI1-MOSI	SPI1 Master Data Out, Slave Data In	I/O
SPI1-MISO	SPI1 Master Data In, Slave Data Out	I/O
SPI1-WP	SPI1 Write Protect, Low Active Protects the memory area against all program or erase instructions. It also can be used for serial data input and output	I/O

Signal Name ^[1]	Description ^[2]	Type ^[3]
	for SPI Quad Input or Quad Output mode.	
SPI1-HOLD	SPI1 Hold Signal Pauses any serial communication with the device without resetting it. It also can be used for serial data input and output for SPI Quad Input or Quad Output mode.	I/O
DBI-CSX	Chip Select Signal, Low Active	I/O
DBI-SCLK	Serial Clock Signal	I/O
DBI-SDO	Data Output Signal	I/O
DBI-SDI	Data Input Signal The data is sampled on the rising edge and the falling edge	I/O
DBI-TE	Tearing Effect Input It is used to capture the external TE signal edge. The rising and falling edge is configurable.	I/O
DBI-DCX	DCX pin is the select output signal of data and command. DCX = 0: register command; DCX = 1: data or parameter.	I/O
DBI-WRX	When DBI operates in dual data lane format, the RGB666 format 2 can use WRX to transfer data	I/O
UART		
UART0-TX	UART0 Data Transmit	O
UART0-RX	UART0 Data Receive	I
UART1-TX	UART1 Data Transmit	O
UART1-RX	UART1 Data Receive	I
UART1-CTS	UART1 Data Clear to Send	I
UART1-RTS	UART1 Data Request to Send	O
UART2-TX	UART2 Data Transmit	O
UART2-RX	UART2 Data Receive	I

Signal Name ^[1]	Description ^[2]	Type ^[3]
UART2-CTS	UART2 Data Clear to Send	I
UART2-RTS	UART2 Data Request to Send	O
UART3-TX	UART3 Data Transmit	O
UART3-RX	UART3 Data Receive	I
UART3-CTS	UART3 Data Clear to Send	I
UART3-RTS	UART3 Data Request to Send	O
UART4-TX	UART4 Data Transmit	O
UART4-RX	UART4 Data Receive	I
UART5-TX	UART5 Data Transmit	O
UART5-RX	UART5 Data Receive	I
TWI		
TWI0-SCK	TWI0 Serial Clock Signal	I/O
TWI0-SDA	TWI0 Serial Data Signal	I/O
TWI1-SCK	TWI1 Serial Clock Signal	I/O
TWI1-SDA	TWI1 Serial Data Signal	I/O
TWI2-SCK	TWI2 Serial Clock Signal	I/O
TWI2-SDA	TWI2 Serial Data Signal	I/O
TWI3-SCK	TWI3 Serial Clock Signal	I/O
TWI3-SDA	TWI3 Serial Data Signal	I/O
JTAG		
R-JTAG-MS	RISC JTAG Mode Select	I
R-JTAG-CK	RISC JTAG Clock Signal	I
R-JTAG-DO	RISC JTAG Data Output	O
R-JTAG-DI	RISC JTAG Data Input	I

5 Electrical Characteristics

5.1 Parameter Conditions

5.1.1 Minimum and Maximum Values

Unless otherwise specified the minimum and maximum values are guaranteed in the worst conditions of ambient temperature, supply voltage, and frequencies by tests in production on 100% of the devices with ambient temperature at $T_a = 25\text{ }^\circ\text{C}$ and $T_a = T_a \text{ max}$.

Data based on characterization results, design simulation, and/or technology characteristics are indicated in the table footnotes and are not tested in production.

5.1.2 Typical Values

Unless otherwise specified, the typical data are based on $T_a = 25\text{ }^\circ\text{C}$. They are given only as design guidelines.

5.1.3 Temperature Definitions

- Ambient Temperature— the temperature of the surrounding environment.
- Junction Temperature— the hottest temperature of the silicon chip inside the package.
- Absolute Maximum Junction Temperature— the temperature beyond which damage occurs to the device. The device may not function or meet expected performance at this temperature.
- Recommended Operating Temperature— the junction temperature at which the device operates continuously at the designated performance over the designed lifetime. The reliability of the device may be degraded if the device operates above this temperature. Some devices will not function electrically above this temperature.

5.2 Absolute Maximum Ratings

Absolute Maximum Ratings are those values beyond which damage to the device may occur. Table 5-1 specifies the absolute maximum ratings.



Stresses beyond those listed under Table 5-1 may affect reliability or cause permanent damage to the device. These are stress ratings only. Functional operation of the device at these or any other conditions beyond those indicated under Section 5.3, *Recommended Operating Conditions*, is not implied. Exposure to absolute maximum rated conditions for extended periods may affect device reliability.

Table 5-1 Absolute Maximum Ratings

Symbol	Parameter	Min ⁽¹⁾	Max ⁽¹⁾	Unit
--------	-----------	--------------------	--------------------	------

Symbol	Parameter	Min ⁽¹⁾	Max ⁽¹⁾	Unit	
AVCC	Power Supply for Analog Part	-0.3	2.16	V	
HPVCC	Headphone Power	-0.3	2.16	V	
VCC-PD	Digital GPIO D Power	-0.3	3.96	V	
VCC-PE	Digital GPIO E Power	-0.3	3.96	V	
VCC-PG	Digital GPIO G Power	-0.3	3.96	V	
VCC-IO	Power Supply for 3.3 V Digital Part	-0.3	3.96	V	
VCC-RTC	Power Supply for RTC	-0.3	TBD	V	
VCC-PLL	Power Supply for System PLL	-0.3	TBD	V	
VCC-LVDS	Power Supply for LVDS	-0.3	TBD	V	
VCC-TVOUT	Power Supply for TVOUT	-0.3	TBD	V	
VCC-TVIN	Power Supply for TVIN	-0.3	TBD	V	
VCC-DRAM0, VCC-DRAM1	Power Supply for DRAM IO and DDR2	-0.3	TBD	V	
VDD18-DRAM	Power Supply for DRAM Controller	-0.3	TBD	V	
VDD-CORE0, VDD-CORE1	Power Supply for CPU and System	-0.3	TBD	V	
VDD-SYS0, VDD-SYS1, VDD-SYS2	Power Supply for System	-0.3	TBD	V	
LDO-IN	Internal LDOA/B Input Voltage	-0.3	3.96	V	
LDOA-OUT	Internal LDOA Output Voltage for Analog Device and IO	-0.3	2.16	V	
LDOB-OUT	Internal LDOB Output Voltage for VCC-DRAM	-0.3	2.16	V	
T _{STG}	Storage Temperature	-40	150	°C	
T _j	Working Junction Temperature	-20	125	°C	
V _{ESD}	Electrostatic Discharge ⁽²⁾	Human Body Model (HBM) ⁽³⁾	-4000	4000	V
		Charged Device Model (CDM) ⁽⁴⁾	-500	500	V

Symbol	Parameter	Min ⁽¹⁾	Max ⁽¹⁾	Unit
I _{Latch-up}	Latch-up I-test performance current-pulse injection on each IO pin ⁽⁵⁾	Pass		
	Latch-up over-voltage performance voltage injection on each IO pin ⁽⁶⁾	Pass		

- (1) The min/max voltages of power rails are guaranteed by design, not tested in production.
- (2) Electrostatic discharge (ESD) to measure device sensitivity/immunity to damage caused by electrostatic discharges into the devices.
- (3) Level listed above is the passing level per ESDA/JEDEC JS-001-2017.
- (4) Level listed above is the passing level per ESDA/JEDEC JS-002-2018.
- (5) Based on JESD78E; each device is tested with IO pin injection of ± 200 mA at room temperature.
- (6) Based on JESD78E; each device is tested with a stress voltage of $1.5 \times V_{ddmax}$ at room temperature.

5.3 Recommended Operating Conditions

Table 5-2 describes operating conditions of the F133.



NOTE

Logic functions and parameter values are not assured out of the range specified in the recommended operating conditions.

Table 5-2 Recommended Operating Conditions

Symbol	Parameter	Min	Typ	Max	Unit
T _a	Ambient Operating Temperature (when VCC-DRAM0/1 uses external power)	-20	-	85	°C
	Ambient Operating Temperature (when VCC-DRAM0/1 uses internal LDO)	-20	-	70	°C
T _j	Working Junction Temperature Range	-20	-	110 ⁽¹⁾	°C
AVCC	Power Supply for Analog Part	1.782	1.8	1.818	V
HPVCC	Headphone Power	1.782	1.8	1.818	V
VCC-PD	Digital GPIO D Power 1.8 V voltage	1.62	1.8	1.98	V

Symbol	Parameter	Min	Typ	Max	Unit
	3.3 V voltage	2.97	3.3	3.63	
VCC-PE	Digital GPIO E Power				
	1.8 V voltage	1.62	1.8	1.98	V
	2.8 V voltage	2.52	2.8	3.08	
	3.3 V voltage	2.97	3.3	3.63	
VCC-PG	Digital GPIO G Power				
	1.8 V voltage	1.62	1.8	1.98	V
	3.3 V voltage	2.97	3.3	3.63	
VCC-IO	Power Supply for Digital Part				
	3.3 V voltage	2.97	3.3	3.63	V
VCC-RTC	Power Supply for RTC	TBD	1.8	TBD	V
VCC-PLL	Power Supply for System PLL	TBD	1.8	TBD	V
VCC-LVDS	Power Supply for LVDS	TBD	1.8	TBD	V
VCC-TVOUT	Power Supply for TVOUT	TBD	3.3	TBD	V
VCC-TVIN	Power Supply for TVIN	TBD	1.8	TBD	V
VCC-DRAM0, VCC-DRAM1	Power Supply for DRAM IO and DDR2	TBD	1.8	TBD	V
VDD18-DRAM	Power Supply for DRAM Controller	1.7	1.8	1.95	V
VDD-CORE0, VDD-CORE1	Power Supply for CPU and System	TBD	0.9	TBD	V
VDD-SYS0, VDD-SYS1, VDD-SYS2	Power Supply for System	TBD	0.9	TBD	V
LDO-IN	Internal LDOA/B Input Voltage	2.4	3.3	3.6	V
LDOA-OUT	Internal LDOA Output Voltage for Analog Device and IO	1.782	1.8	1.818	V
LDOB-OUT	Internal LDOB Output Voltage for VCC-DRAM	1.31	1.35 ⁽²⁾	1.39	V
		1.455	1.5	1.545	
		1.746	1.8	1.854	

- (1). The chip junction temperature in normal working condition should be less than or equal to the maximum junction temperature in Table 5-2.
- (2). The default voltage of LDOB-OUT is 1.35 V.

5.4 Power Consumption Parameters

The current consumption is a function of several parameters and factors such as the operating voltage, ambient temperature, I/O pin loading, device software configuration, operating frequencies, I/O pin switching rate, program location in memory and executed binary code.

The current consumption is measured as described in the following table.



NOTE

Since the data presented in the following table is based on empirical measurements on small sample size, the results presented are not guaranteed.

Table 5-3 Power Consumption Parameters

Parameter	Sub Parameter	Power Supply	Condition	Typ	Max	Unit
Internal Core Power	CPU	VDD-CORE0, VDD-CORE1	0.9 V	-	TBD	mA
	SYS	VDD-SYS0, VDD-SYS1, VDD-SYS2, VDD-CORE0, VDD-CORE1	0.9 V	-	TBD	mA
GPIO Power		VCC-IO	For GPIO, voltage 3.3 V, N=19	-	114	mA
		VCC-PD	For GPIO, voltage 3.3 V, N=23	-	138	mA
		VCC-PE	For GPIO, voltage 3.3 V, N=14	-	84	mA
		VCC-PG	For GPIO, voltage 3.3 V, N=16	-	96	mA
Memory I/O Power		VCC-DRAM	SIP 64 MB DDR2	-	TBD	mA
LVDS Power		VCC-LVDS	1.8 V, 700 MHz dual link	-	50	mA
CVBS OUT Power		VCC-TVOUT	3.3 V	-	TBD	mA
CVBS IN Power		VCC-TVIN	1.8 V	-	TBD	mA

Parameter	Sub Parameter	Power Supply	Condition	Typ	Max	Unit
24 MHz Oscillator	Crystal	VCC-PLL	1.8 V	-	2	mA
RTC Power		VCC-RTC	1.8 V	-	0.01	mA
ADC Analog Power		AVCC	1.8 V, 48 kHz sample rate, 5-chs are enabled	-	TBD	mA
DAC Analog Power		AVCC	1.8 V, 48 kHz sample rate, 2-chs are enabled	-	TBD	mA
USB Power		VCC-IO	2 x USB, 3.3 V	-	35	mA

General equation for estimated, maximum power consumption of an group IO power supply:

$$I_{max} = N \times 6 \text{ mA}$$

Where:

N—Number of IO pins supplied by the power line.

The maximum power consumption for each IO is 6 mA.

5.5 DC Electrical Characteristics

Table 5-4 summarizes the DC electrical characteristics of the F133. For the interfaces of GPIO function port, refer to the DC parameters in Table 5-4 unless otherwise stated.

Table 5-4 DC Electrical Characteristics
(VCC-IO/VCC-PD/VCC-PE/VCC-PG)

Symbol	Parameter	Min	Typ	Max	Unit	
V _{IH}	High-Level Input Voltage	0.7 * VCC-IO	-	VCC-IO + 0.3	V	
V _{IL}	Low-Level Input Voltage	-0.3	-	0.3 * VCC-IO	V	
R _{PU}	Input Pull-up Resistance	PC3 to PC7, PF3, PF6	12	15	18	kΩ
		PG0 to PG5	26	33	40	kΩ
		Other GPIOs	80	100	120	kΩ
R _{PD}	Input Pull-down Resistance	PC3 to PC7, PF3, PF6	12	15	18	kΩ
		PG0 to PG5	26	33	40	kΩ

Symbol	Parameter	Min	Typ	Max	Unit
	Other GPIOs	80	100	120	kΩ
I_{IH}	High-Level Input Current	-	-	10	uA
I_{IL}	Low-Level Input Current	-	-	10	uA
V_{OH}	High-Level Output Voltage	$V_{CC-IO} - 0.3$	-	V_{CC-IO}	V
V_{OL}	Low-Level Output Voltage	0	-	0.2	V
I_{OZ}	Tri-State Output Leakage Current	-10	-	10	uA
C_{IN}	Input Capacitance	-	-	5	pF
C_{OUT}	Output Capacitance	-	-	5	pF

5.6 SDIO Electrical Characteristics

The SDIO electrical parameters are related to different supply voltage.

Figure 5-1 SDIO Voltage Waveform

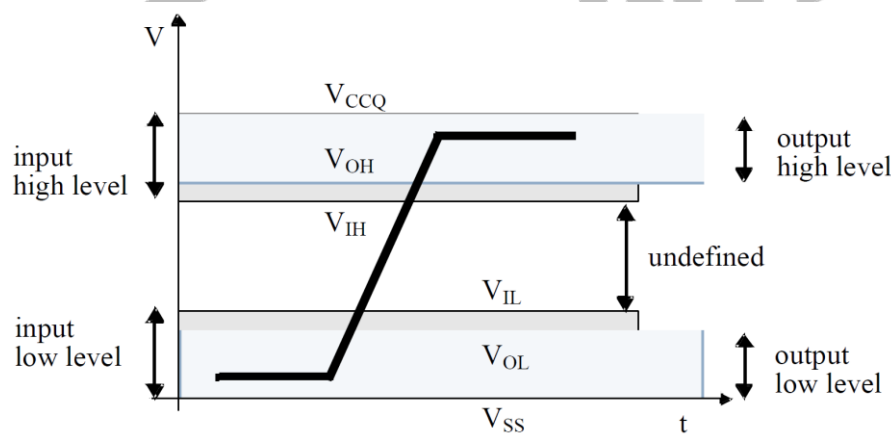


Table 5-5 shows 3.3 V SDIO electrical parameters.

Table 5-5 3.3 V SDIO Electrical Parameters

Symbol	Parameter	Min	Typ	Max	Unit
VDD	Power voltage	2.7	-	3.6	V
V_{CCQ}	I/O voltage	2.7	-	3.6	V
V_{OH}	Output high-level voltage	$0.75 * V_{CCQ}$	-	-	V
V_{OL}	Output low-level voltage	-	-	$0.125 * V_{CCQ}$	V

Symbol	Parameter	Min	Typ	Max	Unit
V _{IH}	Input high-level voltage	0.625 * V _{CCQ}	-	V _{CCQ} + 0.3	V
V _{IL}	Input low-level voltage	V _{SS} - 0.3	-	0.25 * V _{CCQ}	V

Table 5-6 shows 1.8 V SDIO electrical parameters.

Table 5-6 1.8 V SDIO Electrical Parameters

Symbol	Parameter	Min	Typ	Max	Unit
VDD	Power voltage	2.7	-	3.6	V
V _{CCQ}	I/O voltage	1.7	-	1.95	V
V _{OH}	Output high-level voltage	V _{CCQ} - 0.45	-	-	V
V _{OL}	Output low-level voltage	-	-	0.45	V
V _{IH}	Input high-level voltage	0.625 * V _{CCQ} ⁽¹⁾	-	V _{CCQ} + 0.3	V
V _{IL}	Input low-level voltage	V _{SS} - 0.3	-	0.35 * V _{CCQ} ⁽²⁾	V
(1).0.7 * V _{CCQ} for MMC4.3 or lower. (2).0.3 * V _{CCQ} for MMC4.3 or lower.					

5.7 GPADC Electrical Characteristics

The GPADC contains a 1-ch analog-to-digital (ADC) converter. The GPADC is a type of successive approximation register (SAR) converter. Table 5-7 lists GPADC electrical characteristics.

Table 5-7 GPADC Electrical Characteristics

Parameter	Min	Typ	Max	Unit
ADC Resolution	-	12	-	bits
Full-scale Input Range	0	-	AVCC	V
Quantizing Error	-	8	-	LSB
Clock Frequency	-	-	1	MHz
Conversion Time	-	14	-	ADC Clock Cycles

5.8 Audio Codec Electrical Characteristics

Test Conditions:

VDD-SYS = 0.9 V, AVCC = 1.8 V, Ta = 25 °C, 1 kHz sinusoid signal, DAC fs = 48 kHz, ADC fs = 16 kHz, Input gain = 0 dB, 16-bit audio data unless otherwise stated.

Table 5-8 Audio Codec Typical Performance Parameters

Symbol	Parameter	Test Conditions	Min	Typ	Max	Unit
DAC Path	DAC to HPOUTL or HPOUTR					
	Full-scale	0dBFS 1 kHz	-	540	-	Vrms
	SNR (A-weighted)	0data	-	95	-	dB
	THD+N	0dBFS 1 kHz	-	-85	-	dB
	Crosstalk	R_0dB_L_0data 1 kHz L_0dB_R_0data 1 kHz	-	TBD	-	dB
ADC Path	LINEINLR via ADC					
	Output Level	1.7 Vpp, 1 kHz	-	875	-	mFFS
	SNR (A-weighted)	0 Vpp	-	94	-	dB
	THD+N	1.7 Vpp, 1 kHz	-	-88	-	dB
	FMINLR via ADC					
	Output Level	1.7 Vpp, 1 kHz	-	875	-	mFFS
	SNR (A-weighted)	0 Vpp	-	94	-	dB
	THD+N	1.7 Vpp, 1 kHz	-	-88	-	dB
	MICIN via ADC					
	Output Level	MICP=3.3Vpp/2, MICN=3.3Vpp/2, 1 kHz, 0 dB Gain	-	880	-	mFFS
	SNR (A-weighted)		-	98	-	dB
	THD+N		-	-90	-	dB
	Output Level	MICP=1.695Vpp/2, MICN=1.695Vpp/2, 1 kHz, 6 dB Gain	-	880	-	mFFS
	SNR (A-weighted)		-	97	-	dB
	THD+N		-	-93	-	dB
Output Level	MICP=0.788Vpp/2, MICN=0.788Vpp/2,	-	880	-	mFFS	

Symbol	Parameter	Test Conditions	Min	Typ	Max	Unit
	SNR (A-weighted)	1 kHz, 12 dB Gain	-	94	-	dB
	THD+N		-	-85	-	dB
	Output Level	MICP=0.392Vpp/2, MICN=0.392Vpp/2, 1 kHz, 18 dB Gain	-	880	-	mFFS
	SNR (A-weighted)		-	92	-	dB
	THD+N		-	-83	-	dB
	Output Level		-	880	-	mFFS
	SNR (A-weighted)		-	87	-	dB
	THD+N	MICP=0.197Vpp/2, MICN=0.197Vpp/2, 1 kHz, 24 dB Gain	-	-80	-	dB
	Output Level		-	880	-	mFFS
	SNR (A-weighted)		-	82	-	dB
	THD+N	MICP=0.101Vpp/2, MICN=0.101Vpp/2, 1 kHz, 30 dB Gain	-	-73	-	dB
	Output Level		-	880	-	mFFS
	SNR (A-weighted)		-	76	-	dB
	THD+N	MICP=0.053Vpp/2, MICN=0.053Vpp/2, 1 kHz, 36 dB Gain	-	-65	-	dB

5.9 External Clock Source Characteristics

5.9.1 High-speed Crystal/Ceramic Resonator Characteristics

The high-speed external clock can be supplied with a 24 MHz crystal resonator (oscillation mode). The 24 MHz crystal resonator provides 24 MHz reference clock which is connected to the DXIN and DXOUT terminals.

Table 5-9 High-speed 24 MHz Crystal Circuit Characteristics

Symbol	Parameter	Min	Typ	Max	Unit
f_{X24M_IN}	Crystal parallel resonance frequency	-	24	-	MHz
	Crystal frequency stability and tolerance at 25 °C ⁽¹⁾	-50	-	+50	ppm
	Oscillation mode	Fundamental			-
C_0	Shunt capacitance ⁽²⁾	-	6.5	-	pF

1. The 50 ppm frequency stability and tolerance can meet the requirement of F133. We recommend

selecting 20 ppm crystal devices. If the REFCLK-OUT (24 MHz fanout) is used for Wi-Fi chip, the crystal uses the recommended specification or the specified model for Wi-Fi chip.

- The 6.5 pF is only a simulation value. The crystal shunt capacitance (C_0) is given by the crystal manufacturer.

Table 5-10 Crystal Circuit Parameters

Symbol	Parameter
C_1	C_1 capacitance
C_2	C_2 capacitance
C_L	Equivalent load capacitance, specified by the crystal manufacturer
C_0	Crystal shunt capacitance, specified by the crystal manufacturer
C_{shunt}	Total shunt capacitance

Frequency stability mainly requires that the total load capacitance (C_L) be constant. The crystal manufacturer typically specifies a total load capacitance which is the series combination of C_1 , C_2 , and C_{shunt} .

The total load capacitance is $C_L = [(C_1 * C_2)/(C_1 + C_2)] + C_{shunt}$.

- C_1 and C_2 represent the total capacitance of the respective PCB trace, load capacitor, and other components (excluding the crystal) connected to each crystal terminal. C_1 and C_2 are usually the same size.
- C_{shunt} is the crystal shunt capacitance (C_0) plus any mutual capacitance ($C_{pkg} + C_{PCB}$) seen across the DXIN and DXOUT signals.

In the application, the crystal resonator and the load capacitors must be placed close to the oscillator pins in order to minimize output distortion and the startup stabilization time. Refer to the crystal resonator manufacturer for more details on the resonator characteristics.



NOTE

For the above capacitances of 24 MHz crystal circuit, refer to the capacitance recommended in the [F133_Schematic_Diagram](#).

5.9.2 Low-speed Crystal/Ceramic Resonator Characteristics

The F133 contains an RC oscillation circuit that generates a 32.768 kHz clock, meanwhile, the DCXO module can calibrate the RC oscillation circuit regularly. If the product does not have a high requirement for the accuracy of the system clock, the external 32.768 kHz crystal circuit can be omitted and the internal RC oscillation circuit can be adopted, meanwhile, the relevant clock configuration needs to be turned on by the

software.

The F133 also can connect to a 32.768 kHz crystal resonator (oscillation mode). The 32.768 kHz crystal resonator provides 32.768 kHz reference clock which is connected to the X32KIN and X32KOUT terminals. In the application, the crystal resonator and the load capacitors must be placed close to the oscillator pins to minimize output distortion and the startup stabilization time. Refer to the crystal resonator manufacturer for more details on the resonator characteristics.

Table 5-11 Low-speed 32.768 kHz Crystal Circuit Characteristics

Symbol	Parameter	Min	Typ	Max	Unit
f_{X32K_IN}	Crystal parallel resonance frequency	-	32.768	-	kHz
	Crystal frequency stability and tolerance at 25 °C ⁽¹⁾	-	-	-	ppm
	Oscillation mode	Fundamental			-
C_0	Shunt capacitance ⁽²⁾	-	1.1	-	pF

1. The F133 has no requirement for the frequency stability and tolerance of 32.768 kHz crystal. If the actual product has requirement for the accuracy of timing function, the 20 ppm stability and tolerance is recommended.
2. The 1.1 pF is only a simulation value. The crystal shunt capacitance (C_0) is given by the crystal manufacturer.



NOTE

For capacitances of 32.768 kHz crystal circuit, refer to the capacitance recommended in the [F133_Schematic_Diagram](#).

5.10 Internal Reset Electrical Characteristics

Table 5-12 Internal Reset Electrical Characteristics

Parameter	Test Condition	Min	Typ	Max	Unit
Power-on threshold voltage of VDD-SYS on which the reset signal is excited	Ta= -20°C to 85°C	-	0.4	-	V
Reset active timeout period	Ta= -20°C to 85°C	-	64	-	ms
Reset open-drain output voltage	Ta= -20°C to 85°C, pull up 3.3 V	-0.3	-	0.3*VCC	V

5.11 External Memory Electrical Characteristics

5.11.1 SMHC AC Electrical Characteristics

5.11.1.1 HS-SDR Mode



NOTE

IO voltage is 1.8 V or 3.3 V.

Figure 5-2 SMHC HS-SDR Mode Output Timing Diagram

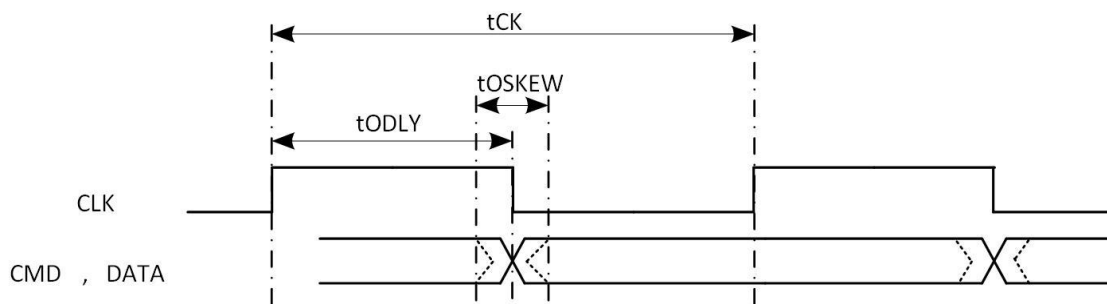


Table 5-13 SMHC HS-SDR Mode Output Timing Constants

Parameter	Symbol	Min	Typ	Max	Unit
CLK					
Clock frequency	tCK	0	50	50	MHz
Duty cycle	DC	45	50	55	%
Output CMD, DATA (referenced to CLK)					
CMD, Data output delay time	tODLY	-	0.25	0.5	UI
Data output delay skew time	tOSKEW	0.5	-	0.8	ns
<p>(1). The Unit Interval (UI) is 1-bit nominal time. For example, UI=20 ns at 50 MHz.</p> <p>(2). The driver strength level of GPIO is 2 for test.</p>					

Figure 5-3 SMHC HS-SDR Mode Input Timing Diagram

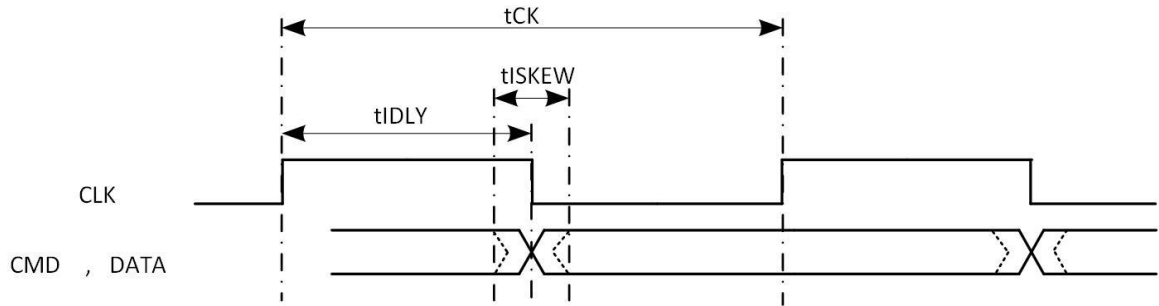


Table 5-14 SMHC HS-SDR Mode Input Timing Constants

Parameter	Symbol	Min	Typ	Max	Unit
CLK					
Clock frequency	tCK	0	50	50	MHz
Duty cycle	DC	45	50	55	%
Input CMD, DATA (referenced to CLK 50 MHz)					
Data input delay in SDR mode. It includes Clock's PCB delay time, Data's PCB delay time and device's data output delay	tIDLY	-	-	-	ns
Data input skew time in SDR mode	tISKEW	0.5	-	0.8	ns
(1). The driver strength level of GPIO is 2 for test.					

5.11.1.2 HS-DDR Mode

Figure 5-4 SMHC HS-DDR Mode Output Timing Diagram

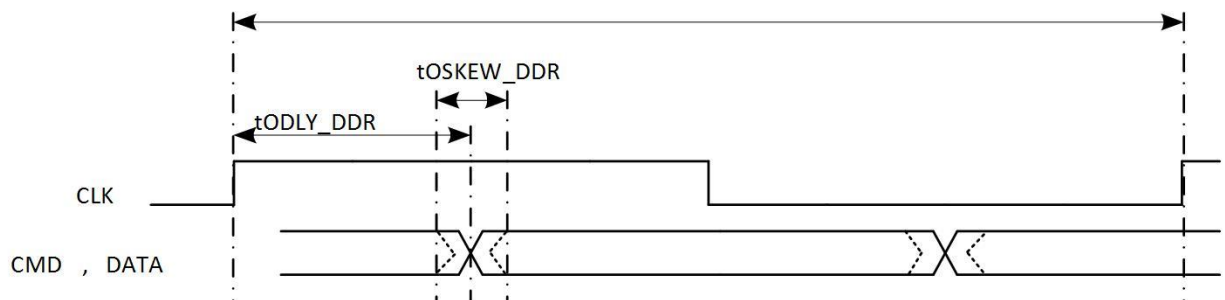


Table 5-15 SMHC HS-DDR Mode Output Timing Constants

Parameter	Symbol	Min	Typ	Max	Unit
CLK					
Clock frequency	tCK	0	50	50	MHz
Duty cycle	DC	45	50	55	%
Output CMD, DATA (referenced to CLK)					
CMD, Data output delay time in DDR mode	tODLY_DDR	-	0.25	0.25	UI
Data output delay skew time	tOSKEW_DDR	0.5	-	0.8	ns
<p>(1). The Unit Interval (UI) is 1-bit nominal time. For example, UI=20 ns at 50 MHz.</p> <p>(2). The driver strength level of GPIO is 2 for test.</p>					

Figure 5-5 SMHC HS-DDR Mode Input Timing Diagram

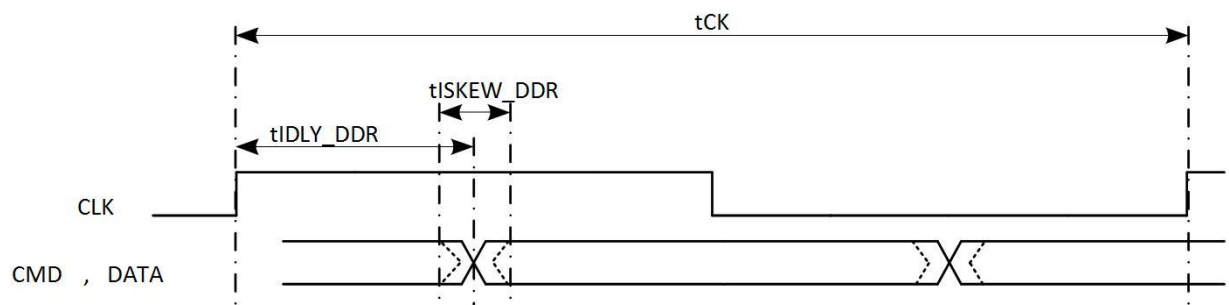


Table 5-16 SMHC HS-DDR Mode Input Timing Constants

Parameter	Symbol	Min	Typ	Max	Unit
CLK					
Clock frequency	tCK	0	50	50	MHz
Duty cycle	DC	45	50	55	%
Input CMD, DATA (referenced to CLK 50 MHz)					
Data input delay in DDR mode. It includes Clock's PCB delay time, Data's	tIDLY_DDR	-	-	-	ns

Parameter	Symbol	Min	Typ	Max	Unit
PCB delay time and device's data output delay					
Data input skew time in DDR mode	tISKEW_DDR	0.5	-	0.8	ns

(1). The driver strength level of GPIO is 2 for test.

5.11.1.3 HS200 Mode

Figure 5-6 SMHC HS200 Mode Output Timing Diagram

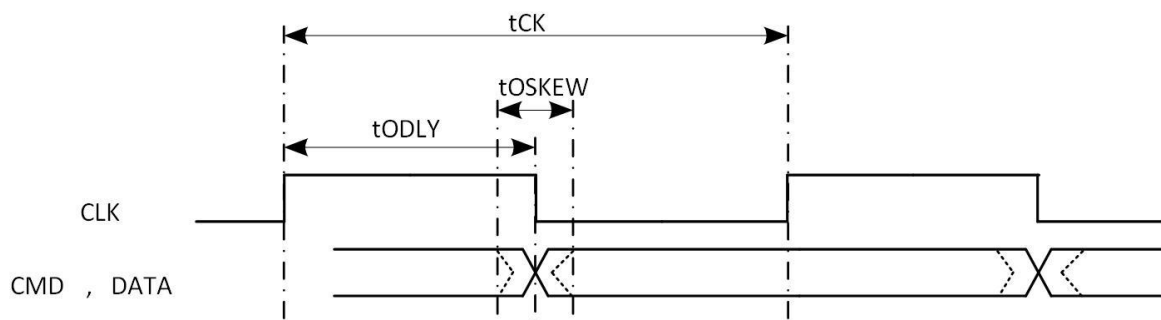


Table 5-17 SMHC HS200 Mode Output Timing Constants

Parameter	Symbol	Min	Typ	Max	Unit
CLK					
Clock frequency	tCK	0	-	150	MHz
Duty cycle	DC	45	50	55	%
Output CMD, DATA (referenced to CLK)					
CMD, Data output delay time	tODLY	-	0.25	0.5	UI
Data output delay skew time	tOSKEW	0.5	-	0.8	ns

(1). The Unit Interval (UI) is 1-bit nominal time. For example, UI=10 ns at 100 MHz.

(2). The driver strength level of GPIO is 3 for test.

Figure 5-7 SMHC HS200 Mode Input Timing Diagram

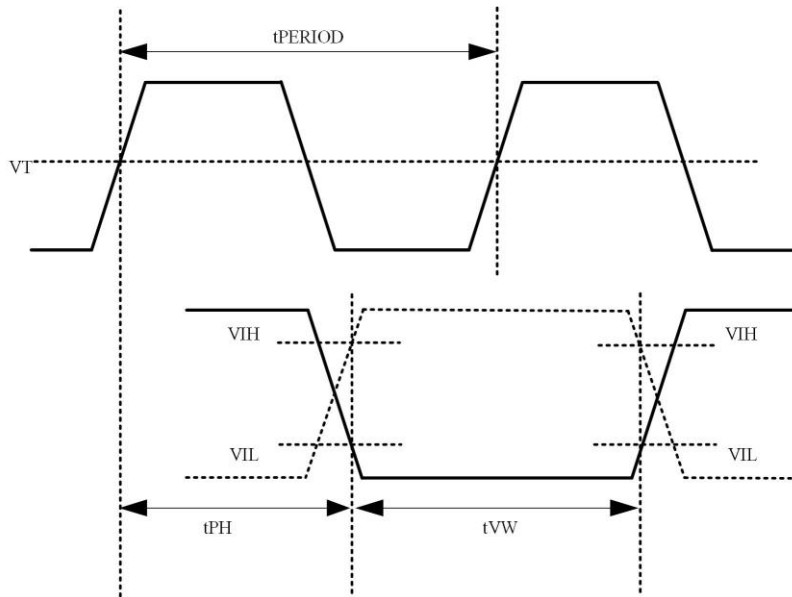


Table 5-18 SMHC HS200 Mode Input Timing Constants

Parameter	Symbol	Min	Typ	Max	Unit	Remark
CLK						
Clock period	tPERIOD	6.66	-	-	ns	Max: 150 MHz
Duty cycle	DC	45	50	55	%	
Rise time, fall time	tTLH, tTHL	-	-	0.2	UI	
Input CMD, DATA (referenced to CLK)						
Input delay	tPH	0	-	2	UI	
Input delay variation due to temperature change after tuning	dPH	-350 ^[3]	-	1550 ^[4]	ps	
CMD, Data valid window	tVW	0.575	-	-	UI	
<p>(1). The Unit Interval (UI) is 1-bit nominal time. For example, UI=10 ns at 100 MHz.</p> <p>(2). The driver strength level of GPIO is 3 for test.</p> <p>(3). Temperature variation: -20°C.</p>						

Parameter	Symbol	Min	Typ	Max	Unit	Remark
(4). Temperature variation: 90°C.						

5.12 External Peripheral Electrical Characteristics

5.12.1 LCD AC Electrical Characteristics

Figure 5-8 HV_IF Interface Vertical Timing

Vertical Timing

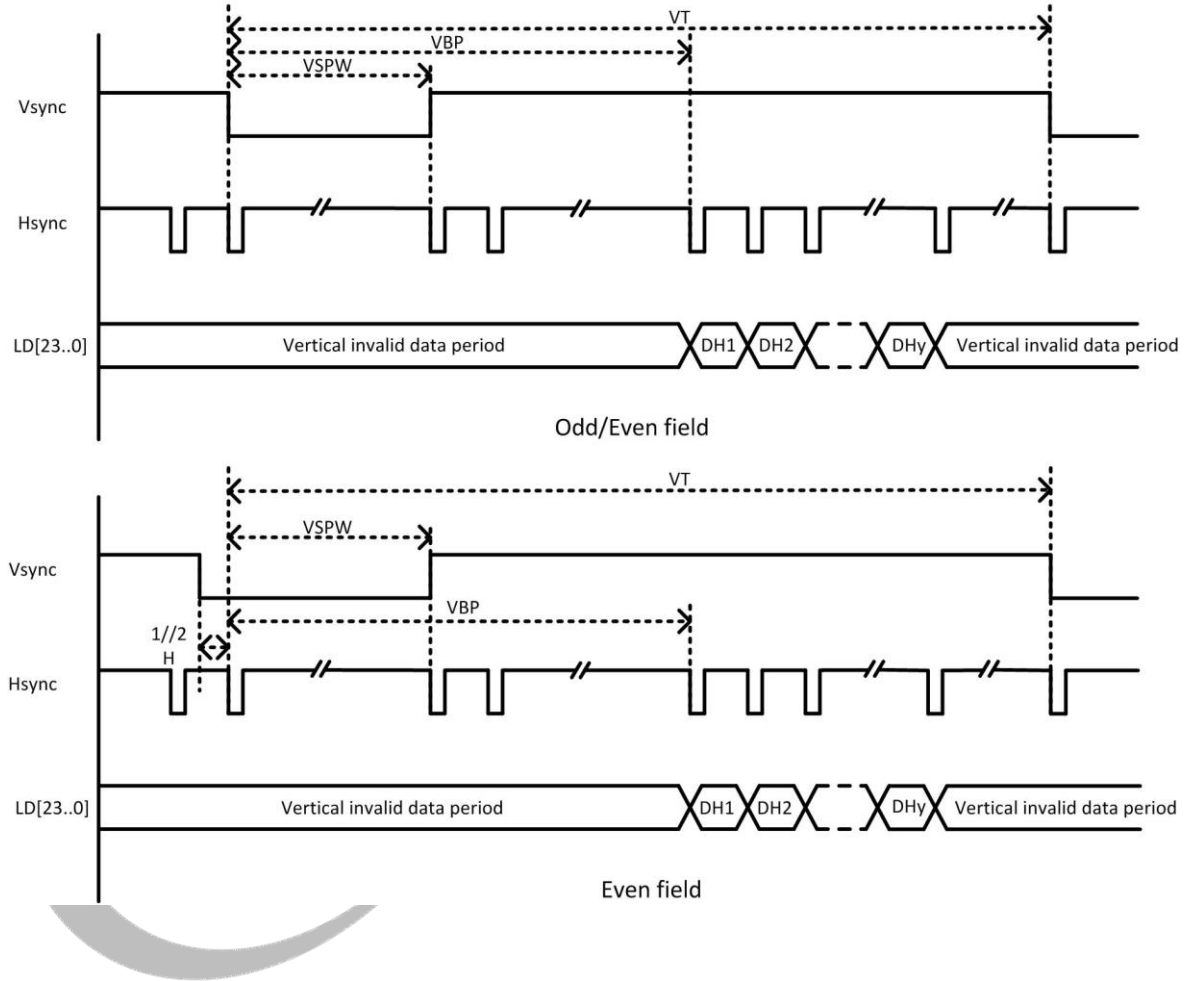


Figure 5-9 HV_IF Interface Horizontal Timing

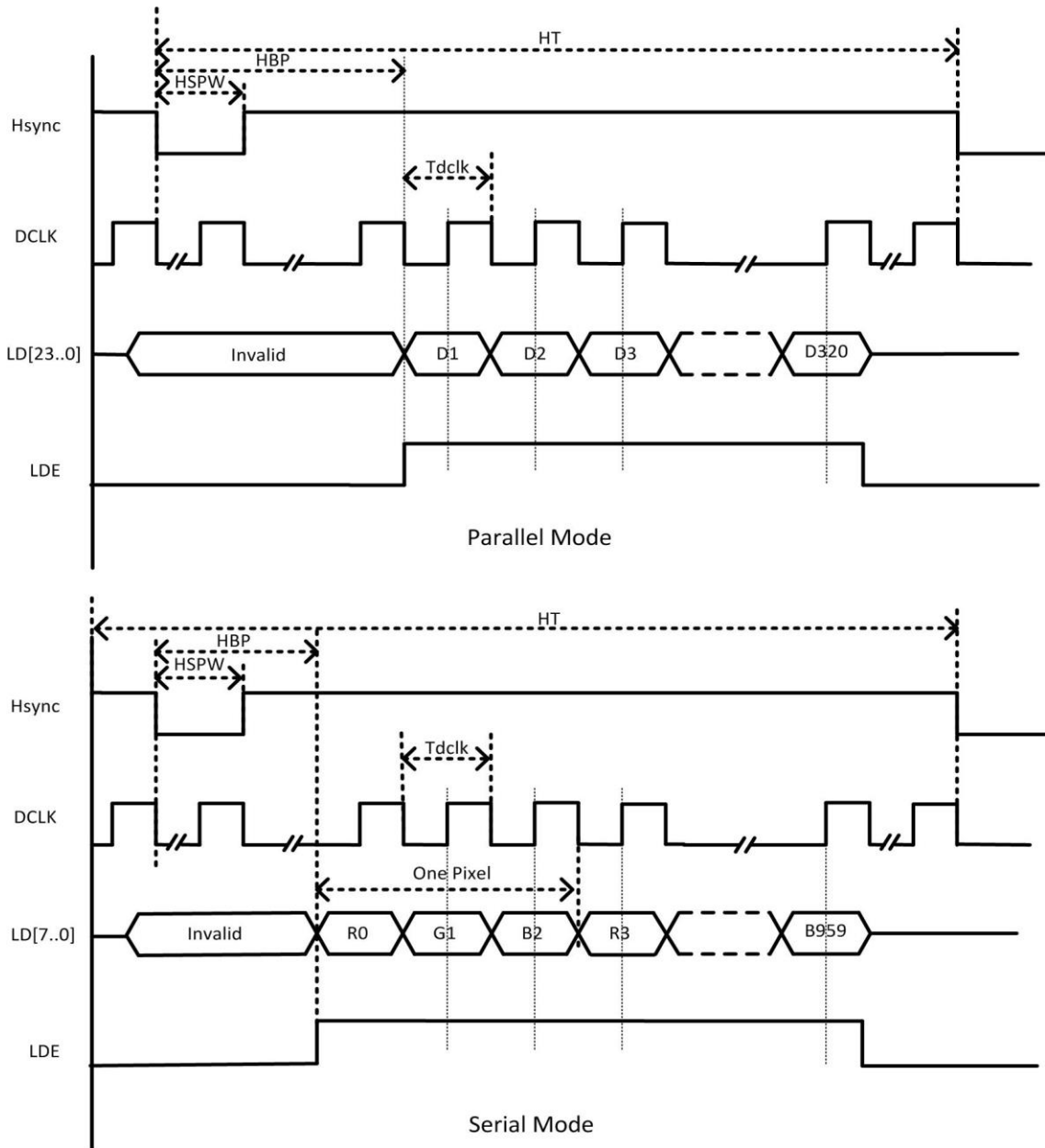


Table 5-19 LCD HV_IF Interface Timing Constants

Parameter	Symbol	Min	Typ	Max	Unit
DCLK cycle time	tDCLK	5	-	-	ns
Hsync period time	tHT	-	HT+1	-	tDCLK
Hsync width	tHSPW	-	HSPW+1	-	tDCLK
Hsync back porch	tHBP	-	HBP+1	-	tDCLK
Vsync period time	tVT	-	VT/2	-	tHT
Vsync width	tVSPW	-	VSPW+1	-	tHT

Parameter	Symbol	Min	Typ	Max	Unit
Vsync back porch	tVBP	-	VBP+1	-	tHT

(1) Vsync: Vertical sync, indicates one new frame.
 (2) Hsync: Horizontal sync, indicates one new scan line.
 (3) DCLK: Dot clock, pixel data are sync by this clock.
 (4) LDE: LCD data enable.
 (5) LD[23..0]: 24Bit RGB/YUV output from input FIFO for panel.

5.12.2 CSI AC Electrical Characteristics

Figure 5-10 CSI Data Sample Timing

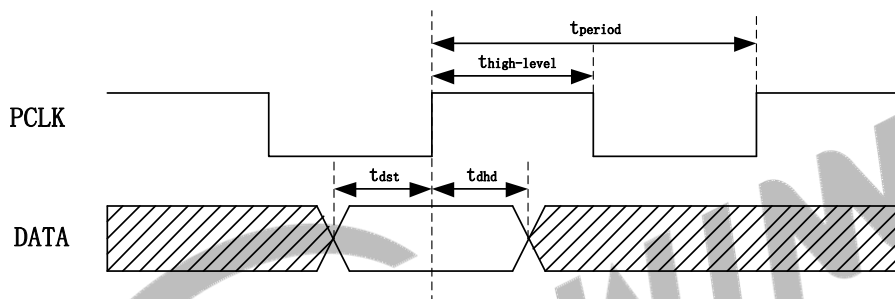


Table 5-20 CSI Interface Timing Constants

Parameter	Symbol	Min	Typ	Max	Unit
Pclk period	t_{period}	6.73	-	-	ns
Pclk frequency	$1/t_{period}$	-	-	148.5	MHz
Pclk duty	$t_{high-level}/t_{period}$	40	50	60	%
Data input setup time	t_{dst}	0.6	-	-	ns
Data input hold time	t_{dhd}	0.6	-	-	ns

5.12.3 EMAC AC Electrical Characteristics

5.12.3.1 RGMII

Figure 5-11 RGMII Interface Transmit Timing

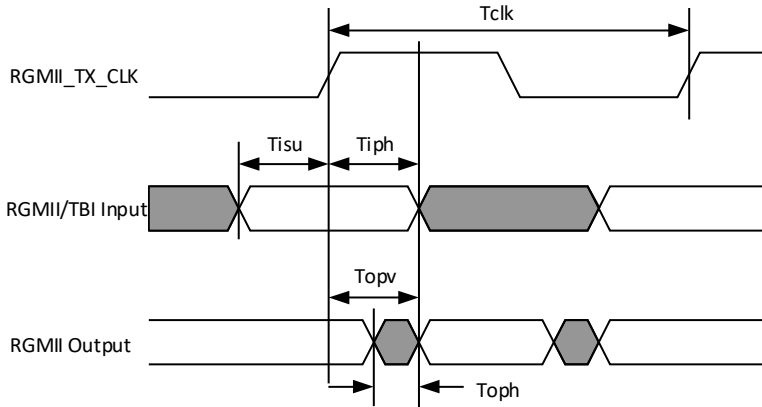


Table 5-21 RGMII Transmit Timing Constants

Parameter	Symbol	Min	Typ	Max	Unit
RGMII_TX_CLK clock period	Tclk	8	-	DC	ns
RGMII/TBI input setup prior to RGMII_TX_CLK	Tisu	2.8	-	-	ns
RGMII/TBI input data hold after RGMII_TX_CLK	Tiph	0.1	-	-	ns
RGMII output data valid after RGMII_TX_CLK	Topv	-	-	0.85	ns
RGMII output data hold after RGMII_TX_CLK	Toph	0	-	-	ns

Figure 5-12 RGMII Interface Receive Timing

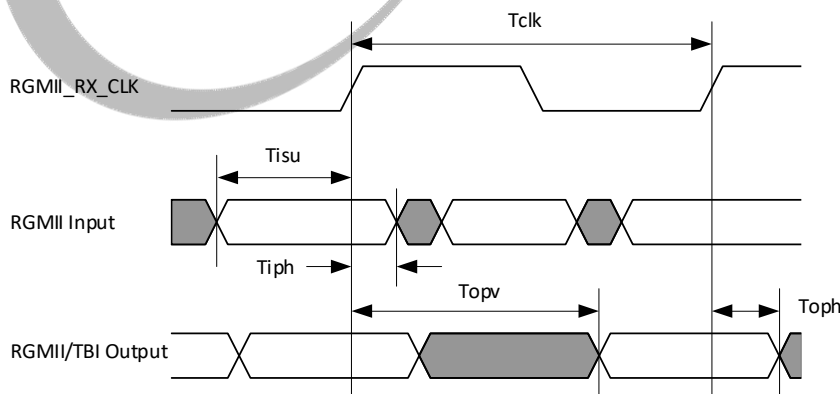


Table 5-22 RGMII Receive Timing Constants

Parameter	Symbol	Min	Typ	Max	Unit
-----------	--------	-----	-----	-----	------

Parameter	Symbol	Min	Typ	Max	Unit
RGMII_RX_CLK clock period	Tclk	8	-	DC	ns
RGMII input setup prior to RGMII_RX_CLK	Tisu	2.6	-	-	ns
RGMII input data hold after RGMII_RX_CLK	Tiph	0.8	-	-	ns
RGMII/TBI input data valid after RGMII_RX_CLK	Topv	-	-	5.2	ns
RGMII output data hold after RGMII_RX_CLK	Toph	0.1	-	-	ns
TBI output data hold after RGMII_RX_CLK		0.5	-	-	

5.12.3.2 RMII

Figure 5-13 RMII Interface Transmit Timing

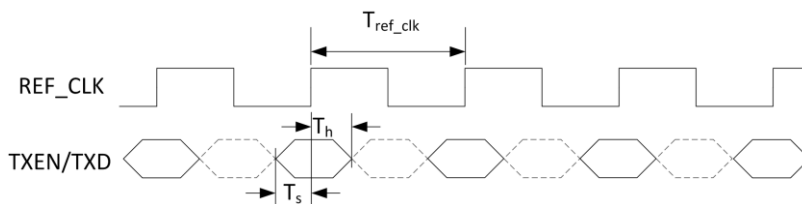


Table 5-23 RMII Transmit Timing Constants

Parameter	Symbol	Min	Typ	Max	Unit
Reference clock period	T _{ref_clk}	-	20	-	ns
TXD/TXEN to REF_CLK setup time	T _s	4	-	-	ns
TXD/TXEN to REF_CLK hold time	T _h	2	-	-	ns

Figure 5-14 RMII Interface Receive Timing

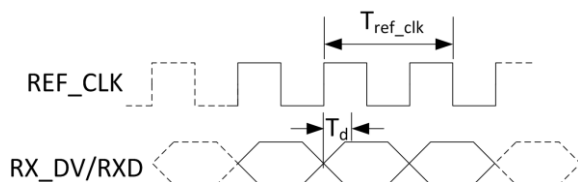


Table 5-24 RMII Receive Timing Constants

Parameter	Symbol	Min	Typ	Max	Unit
Reference clock period	T _{ref_clk}	-	20	-	ns

Parameter	Symbol	Min	Typ	Max	Unit
REF_CLK rising edge to RX_DV/RXD	Td	-	10	12	ns

5.12.4 SPI AC Electrical Characteristics

Figure 5-15 SPI Writing Timing

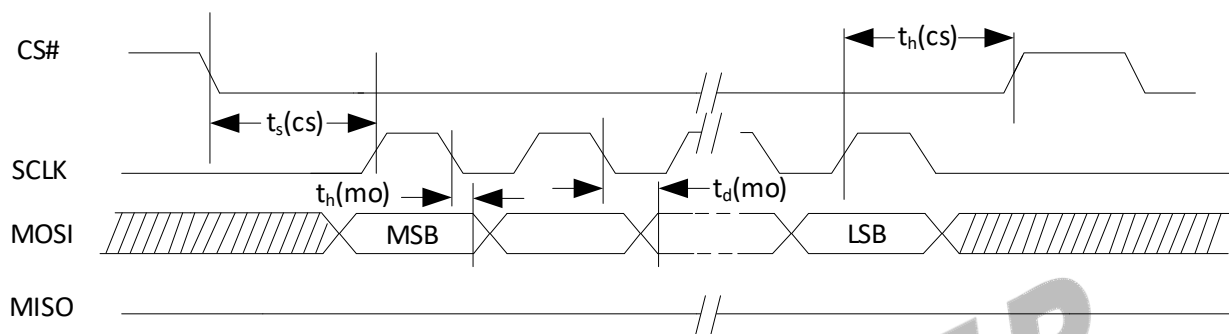


Figure 5-16 SPI Reading Timing

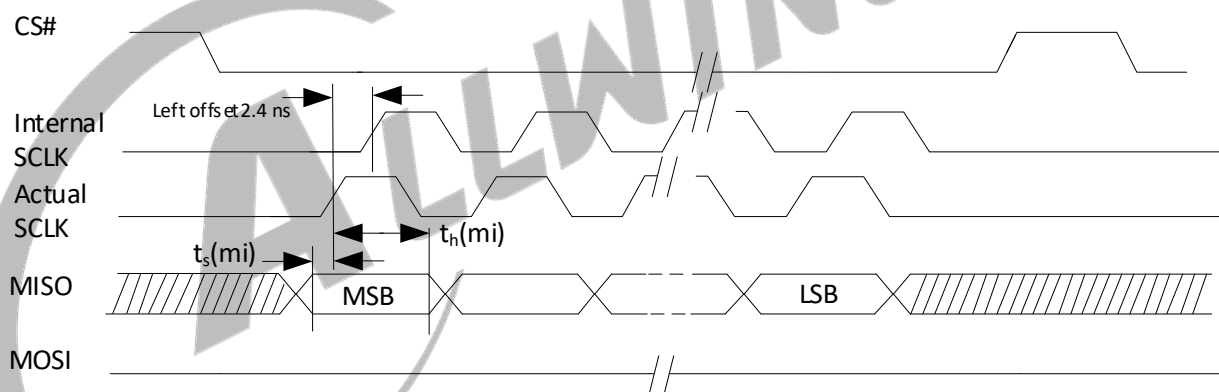


Table 5-25 SPI Timing Constants

Parameter	Symbol	Min	Typ	Max	Unit
CS# active setup time	$t_s(cs)$	-	$2T^{(1)}$	-	ns
CS# active hold time	$t_h(cs)$	-	$2T^{(1)}$	-	ns
Data output delay time	$t_d(mo)$	-	$T^{(1)}/2-3$	-	ns
Data output hold time	$t_h(mo)$	-	$T^{(1)}/2-3$	-	ns
Data input setup time	$t_s(mi)$	0.2	-	-	ns
Data input hold time	$t_h(mi)$	0.2	-	-	ns

Parameter	Symbol	Min	Typ	Max	Unit
(1).T is the cycle of clock.					

5.12.5 SPI_DBI AC Electrical Characteristics

Figure 5-17 DBI 3-line Serial Interface Timing

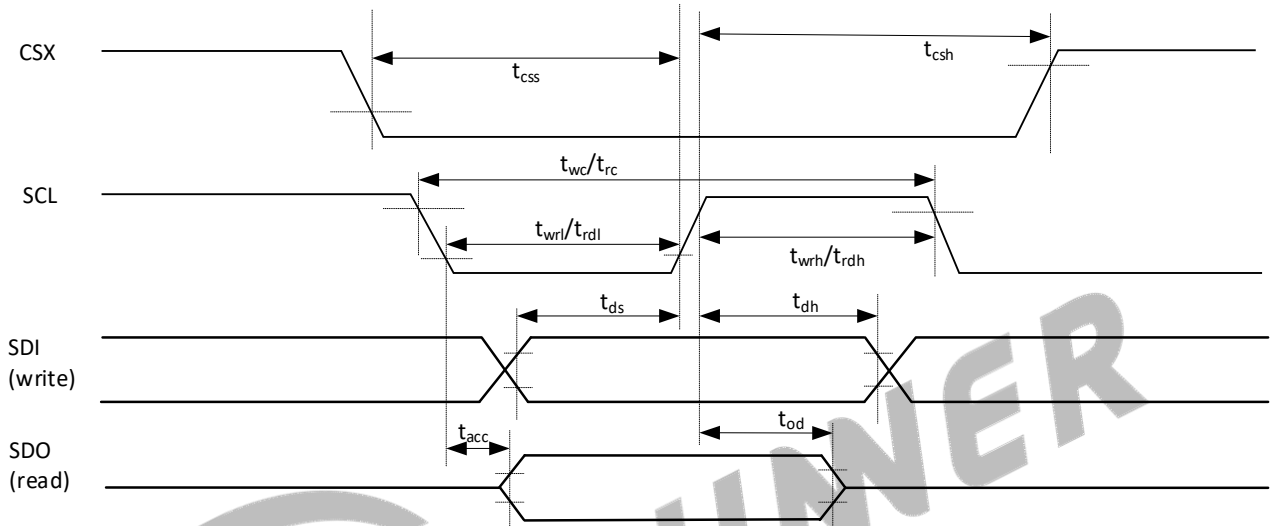


Table 5-26 DBI 3-line Serial Interface Timing Parameters

Signal	Parameter	Symbol	Min	Max	Unit
CSX	Chip select setup time (Write)	t_{css}	15		ns
	Chip select setup time (Read)	t_{csh}	60		ns
SCL (write)	Write cycle	t_{wc}	16		ns
	Control pulse "H" duration	t_{wrh}	7		ns
	Control pulse "L" duration	t_{wrl}	7		ns
SCL (read)	Read cycle	t_{rc}	150		ns
	Control pulse "H" duration	t_{rdh}	60		ns
	Control pulse "L" duration	t_{rdl}	60		ns
SDI/SDO (write)	Data setup time	t_{ds}	7		ns
	Data hold time	t_{dt}	7		ns
SDI/SDO	Read access time	t_{racc}	10	50	ns

Signal	Parameter	Symbol	Min	Max	Unit
(read)	Output disable time	t_{od}	15	50	ns

Figure 5-18 DBI 4-line Serial Interface Timing

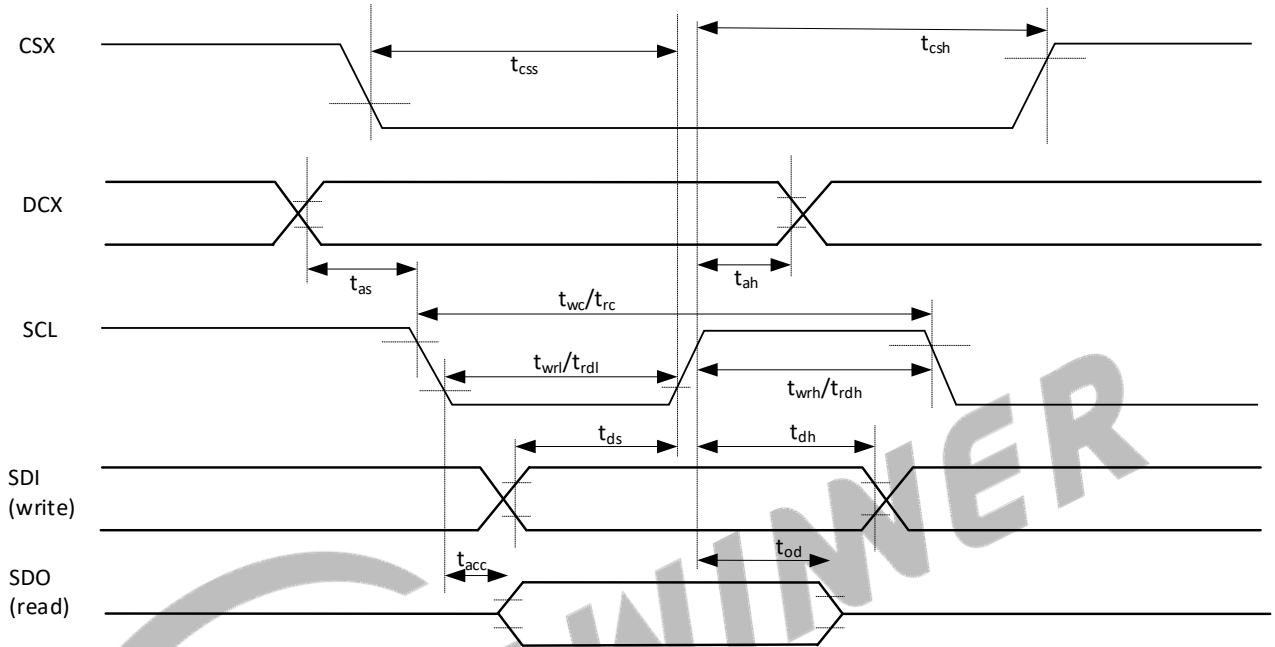


Table 5-27 DBI 4-line Serial Interface Timing Parameters

Signal	Parameter	Symbol	Min	Max	Unit
CSX	Chip select setup time (Write)	t_{css}	15		ns
	Chip select setup time (Read)	t_{csh}	60		ns
DCX	Address setup time	t_{as}	10		ns
	Address hold time (Write/Read)	t_{ah}	10		ns
SCL (write)	Write cycle	t_{wc}	16		ns
	Control pulse "H" duration	t_{wrh}	7		ns
	Control pulse "L" duration	t_{wrl}	7		ns
SCL (read)	Read cycle	t_{rc}	150		ns
	Control pulse "H" duration	t_{rdh}	60		ns
	Control pulse "L" duration	t_{rdl}	60		ns

Signal	Parameter	Symbol	Min	Max	Unit
SDI/SDO (write)	Data setup time	t_{ds}	7		ns
	Data hold time	t_{dt}	7		ns
SDI/SDO (read)	Read access time	t_{racc}	-	50	ns
	Output disable time	t_{od}	15	50	ns

5.12.6 UART AC Electrical Characteristics

Figure 5-19 UART RX Timing

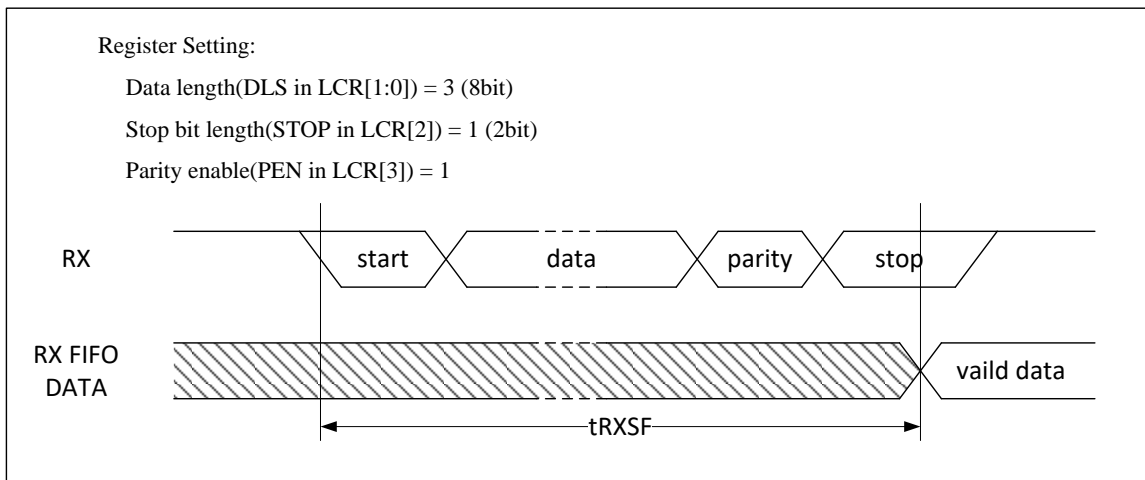


Figure 5-20 UART nCTS Timing

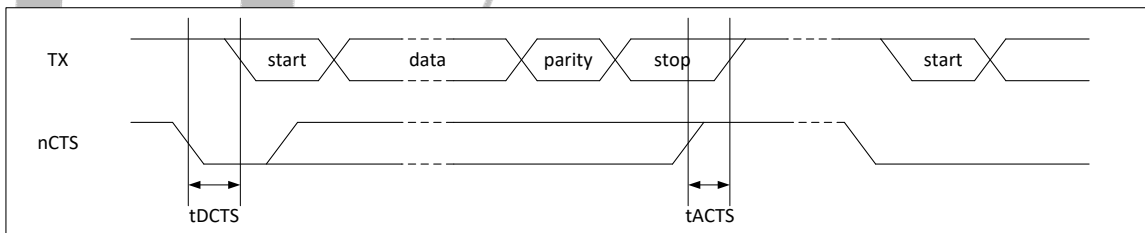


Figure 5-21 UART nRTS Timing

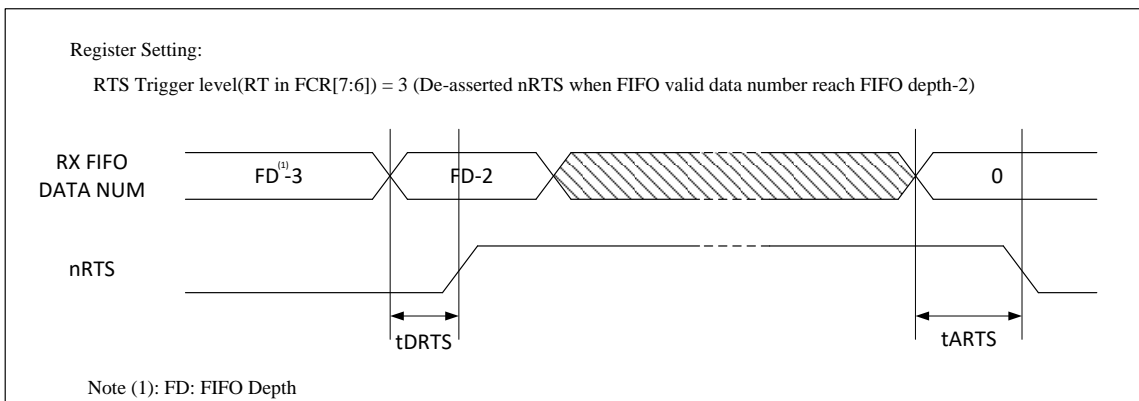


Table 5-28 UART Timing Constants

Parameter	Symbol	Min	Typ	Max	Unit
RX start to RX FIFO	tRXSF	10.5 * BRP ⁽¹⁾	-	11 * BRP ⁽¹⁾	ns
Delay time of de-asserted nCTS to TX start	tDCTS	-	-	BRP ⁽¹⁾	ns
Step time of asserted nCTS to stop next transmission	tACTS	BRP ⁽¹⁾ /4	-	-	ns
Delay time of de-asserted nRTS	tDRTS	-	-	BRP ⁽¹⁾	ns
Delay time of asserted nRTS	tARTS	-	-	BRP ⁽¹⁾	ns

(1). BRP: Baud-Rate Period.

5.12.7 TWI AC Electrical Characteristics

Figure 5-22 TWI Timing

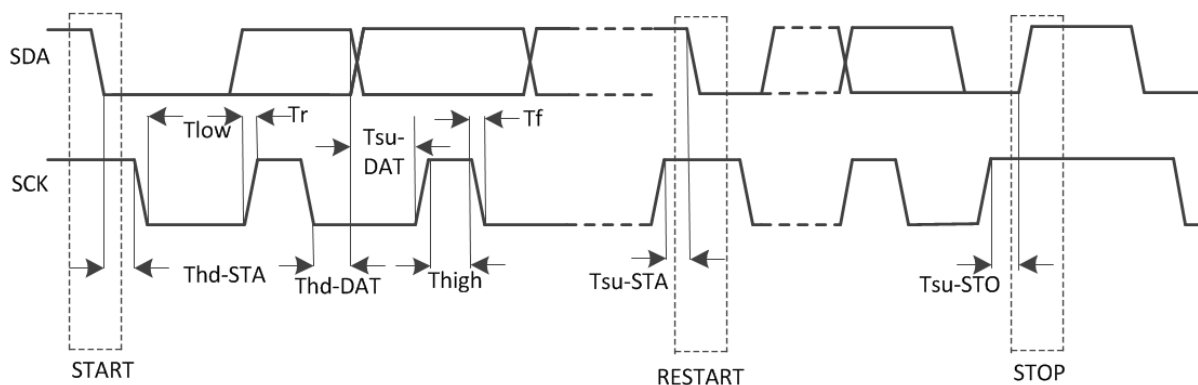


Table 5-29 TWI Timing Parameters

Parameter	Symbol	Standard mode		Fast mode		Unit
		Min	Max	Min	Max	
SCK clock frequency	Fsck	0	100	0	400	kHz
Setup time in Start	Tsu-STA	4.7	-	0.6	-	us
Hold time in Start	Thd-STA	4.0	-	0.6	-	us
Setup time in Data	Tsu-DAT	250	-	100	-	ns
Hold time in Data	Thd-DAT	5.0	-	-	-	ns
Setup time in Stop	Tsu-STO	4.0	-	6.0	-	us
SCK low level time	Tlow	4.7	-	1.3	-	us
SCK high level time	Thigh	4.0	-	0.6	-	ns
SCK/SDA falling time	Tf	-	300	20	300	ns
SCK/SDA rising time	Tr	-	1000	20	300	ns

5.12.8 I2S/PCM AC Electrical Characteristics

Figure 5-23 I2S/PCM Timing in Master Mode

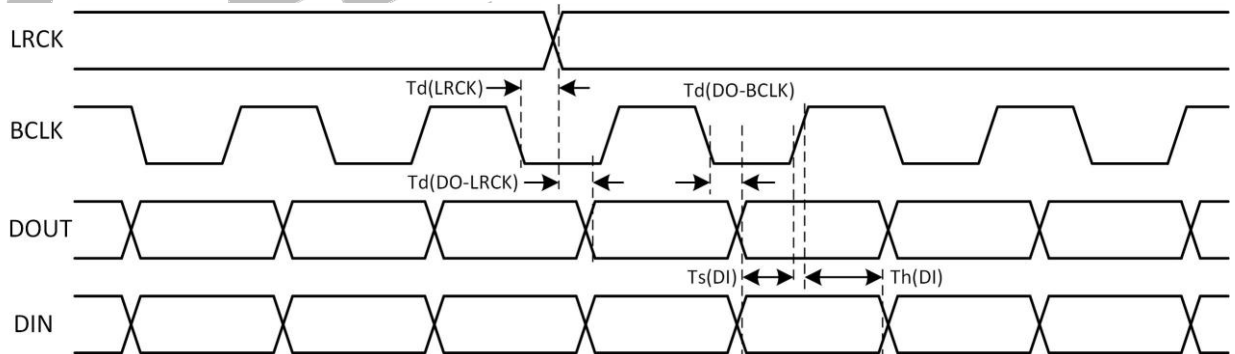


Table 5-30 I2S/PCM Timing Constants in Master Mode

Parameter	Symbol	Min	Typ	Max	Unit
LRCK delay	T _d (LRCK)	-	-	10	ns
LRCK to DOUT delay (For LJF)	T _d (DO-LRCK)	-	-	10	ns
BCLK to DOUT delay	T _d (DO-BCLK)	-	-	10	ns

DIN setup	$T_s(DI)$	4	-	-	ns
DIN hold	$T_h(DI)$	4	-	-	ns
BCLK rise time	T_r	-	-	8	ns
BCLK fall time	T_f	-	-	8	ns

Figure 5-24 I2S/PCM Timing in Slave Mode

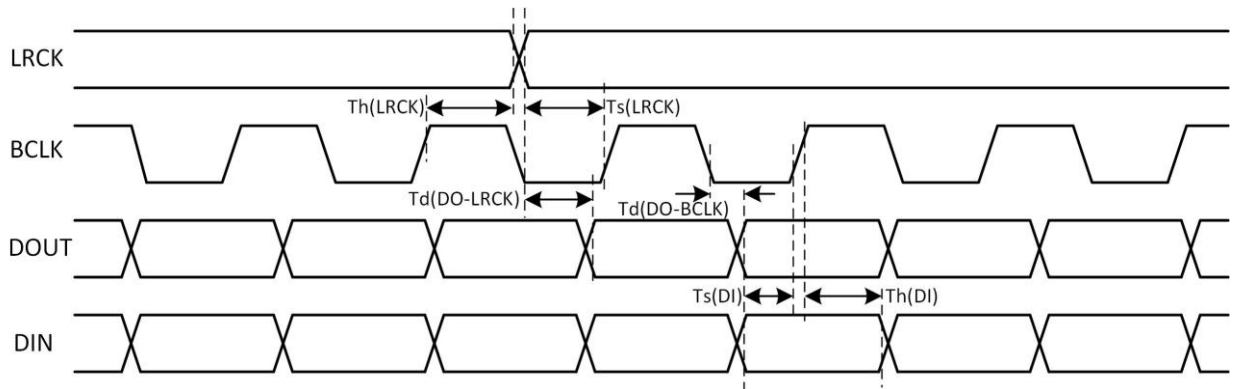


Table 5-31 I2S/PCM Timing Constants in Slave Mode

Parameter	Symbol	Min	Typ	Max	Unit
LRCK setup	$T_s(LRCK)$	4	-	-	ns
LRCK hold	$T_h(LRCK)$	4	-	-	ns
LRCK to DOUT delay (For LJF)	$T_d(DO-LRCK)$	-	-	10	ns
BCLK to DOUT delay	$T_d(DO-BCLK)$	-	-	10	ns
DIN setup	$T_s(DI)$	4	-	-	ns
DIN hold	$T_h(DI)$	4	-	-	ns
BCLK rise time	T_r	-	-	4	ns
BCLK fall time	T_f	-	-	4	ns

5.12.9 DMIC AC Electrical Characteristics

Figure 5-25 DMIC Timing

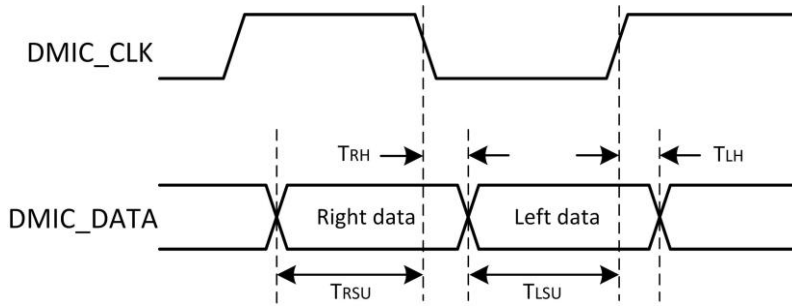


Table 5-32 DMIC Timing Constants

Parameter	Symbol	Min	Typ	Max	Unit
DMIC_DATA (Right) setup time to falling edge of DMIC_CLK	TRSU	15	-	-	ns
DMIC_DATA (Right) hold time from falling edge of DMIC_CLK	TRH	0	-	-	ns
DMIC_DATA (Left) setup time to rising edge of DMIC_CLK	TLSU	15	-	-	ns
DMIC_DATA (Left) hold time from rising edge of DMIC_CLK	TLH	0	-	-	ns

5.12.10 OWA AC Electrical Characteristics

Figure 5-26 OWA Timing

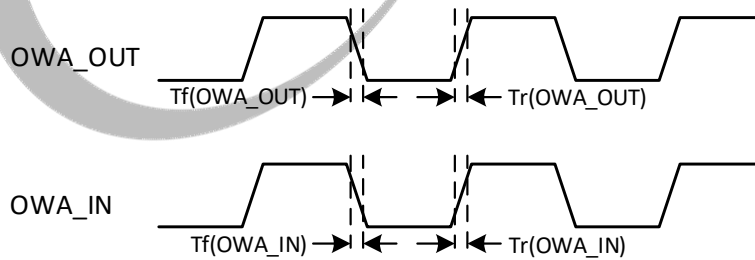


Table 5-33 OWA Timing Constants

Parameter	Symbol	Min	Typ	Max	Unit
OWA_OUT rise time	Tr(OWA_OUT)	-	-	8	ns
OWA_OUT fall time	Tf(OWA_OUT)	-	-	8	ns
OWA_IN rise time	Tr(OWA_IN)	-	-	4	ns

Parameter	Symbol	Min	Typ	Max	Unit
OWA_IN fall time	Tf(OWA_IN)	-	-	4	ns

5.12.11 CIR_RX AC Electrical Characteristics

Figure 5-27 CIR_RX Timing

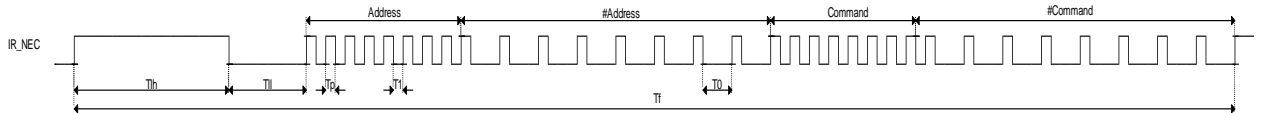


Table 5-34 CIR_RX Timing Constants

Parameter	Symbol	Min	Typ	Max	Unit
Frame period	Tf	-	67.5	-	ms
Lead code high time	Tlh	-	9	-	ms
Lead code low time	Tll	-	4.5	-	ms
Pulse time	Tp	-	560	-	us
Logical 1 low time	T1	-	1680	-	us
Logical 0 low time	T0	-	560	-	us

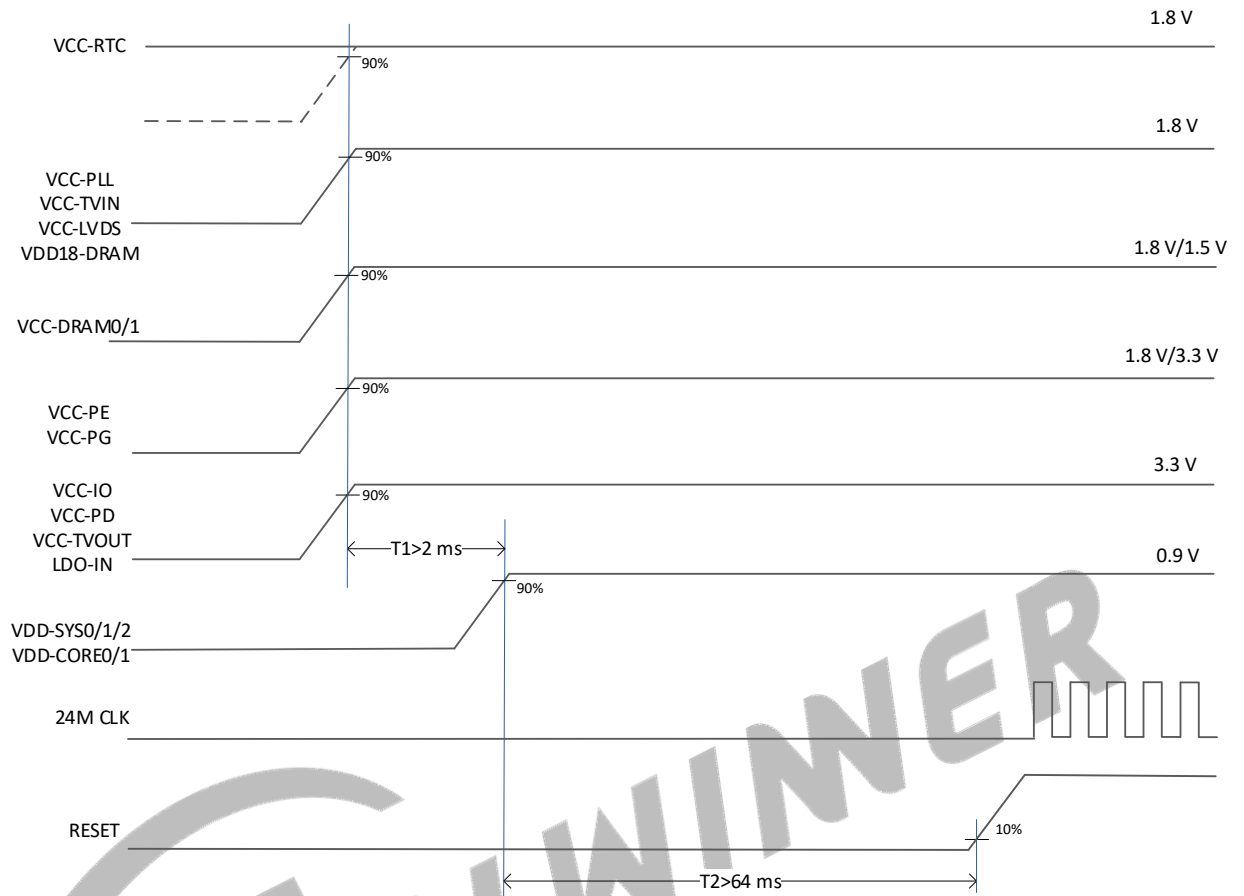
5.13 Power-On and Power-Off Sequence

5.13.1 Power-On Sequence

Figure 5-28 shows an example of the power-on sequence for the F133 device. The description of the power-on sequence is as follows.

- The consequent steps in power-on sequence should not start before the previous step supplies have been stabilized within 90–110% of their nominal voltage, unless stated otherwise.
- VCC-RTC must be ramped no later than other power rails.
- VCC-IO must be ramped before VDD-SYS and VDD-CORE with a minimum delay of 2 ms.
- VCC-DRAM needs be stable before SDRAM driver initialization.
- During the entire power on sequence, the RESET signal must be held on low until all other power rails (except 24 MHz CLK) are stable for more than 64 ms.
- 24MHz clock starts oscillating after the RESET signal is released.

Figure 5-28 Power-On Timing

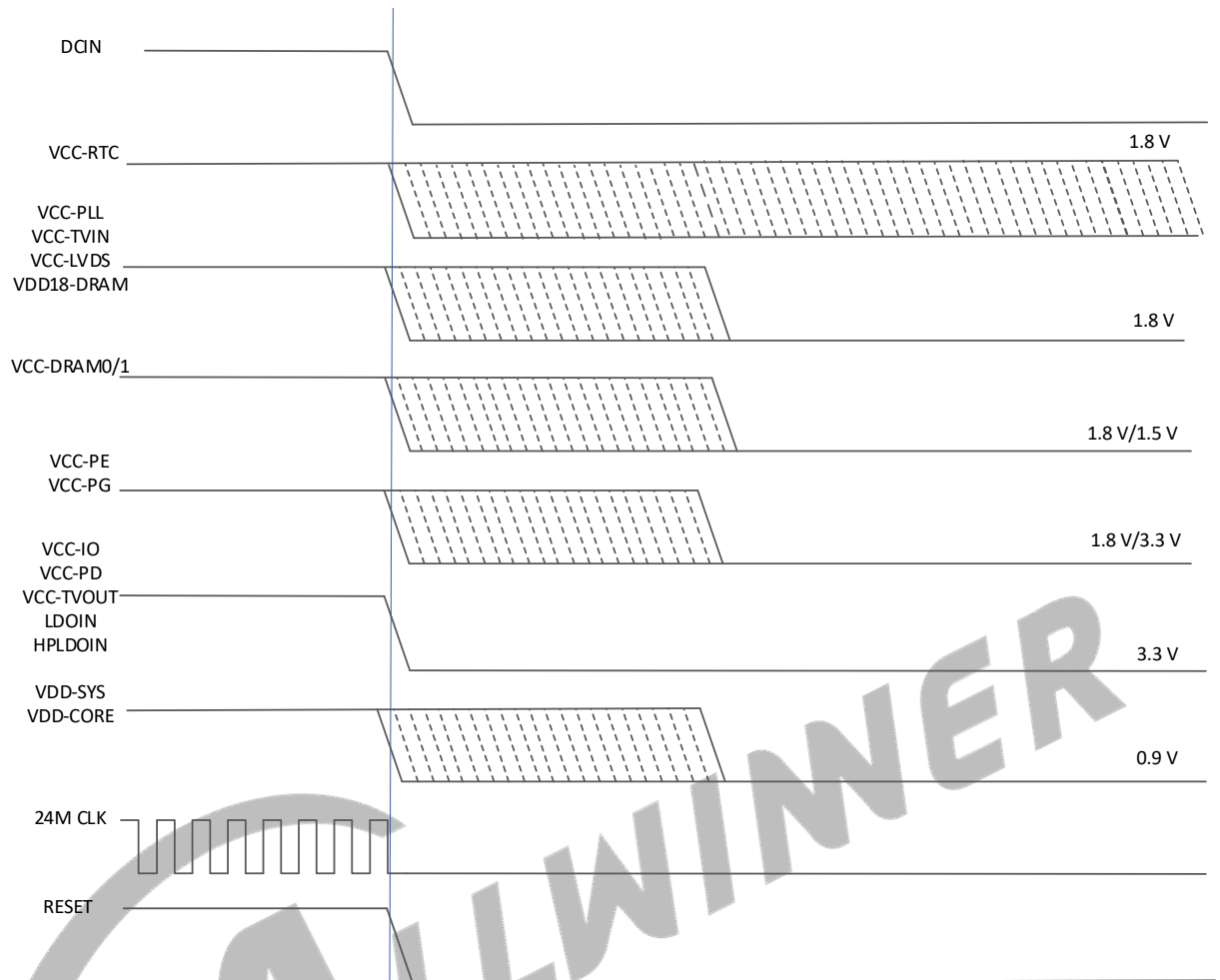


5.13.2 Power-Off Sequence

The power-off requirements are as follows.

- After the RESET signal goes low, the 24 MHz clock starts to stop oscillating.
- No special restrictions for other power rails.

Figure 5-29 Power-Off Timing



6 Package Thermal Characteristics

The maximum chip junction temperature ($T_J \text{ max}$) must never exceed the values given in [Table 5-2 Recommended Operating Conditions](#).

The maximum chip-junction temperature $T_J \text{ max}$, in degrees Celsius, may be calculated using the following equation:

$$T_J \text{ max} = T_a \text{ max} + (P_D \text{ max} \times \theta_{JA})$$

Where:

$T_a \text{ max}$ is the maximum ambient temperature in °C.

$P_D \text{ max}$ is the maximum power dissipation.

θ_{JA} is the package junction-to-ambient thermal resistance, in °C/W.

°C/W = degrees Celsius per watt.

Failure to maintain a junction temperature within the range specified reduces operating lifetime, reliability, and performance, and may cause irreversible damage to the system. It is useful to calculate the exact power consumption and junction temperature to determine which the temperature will be best suited to the application. Therefore, the product should include thermal analysis and thermal design to ensure the operating junction temperature of the device is within functional limits.

The following tables show the thermal resistance characteristics of the F133. These data are based on JEDEC JESD51 standard, because the actual system design and temperature could be different from JEDEC JESD51, these simulating data are a reference only and may not represent actual use-case values, please prevail in the actual application condition test.

Table 6-1 F133 Package Thermal Characteristics

Symbol	Parameter	Min	Typ ⁽¹⁾	Max	Unit
θ_{JA}	Junction-to-Ambient Thermal Resistance	-	20.36	-	°C/W
θ_{JB}	Junction-to-Board Thermal Resistance	-	7.43	-	°C/W
θ_{JC}	Junction-to-Case Thermal Resistance	-	5.52	-	°C/W

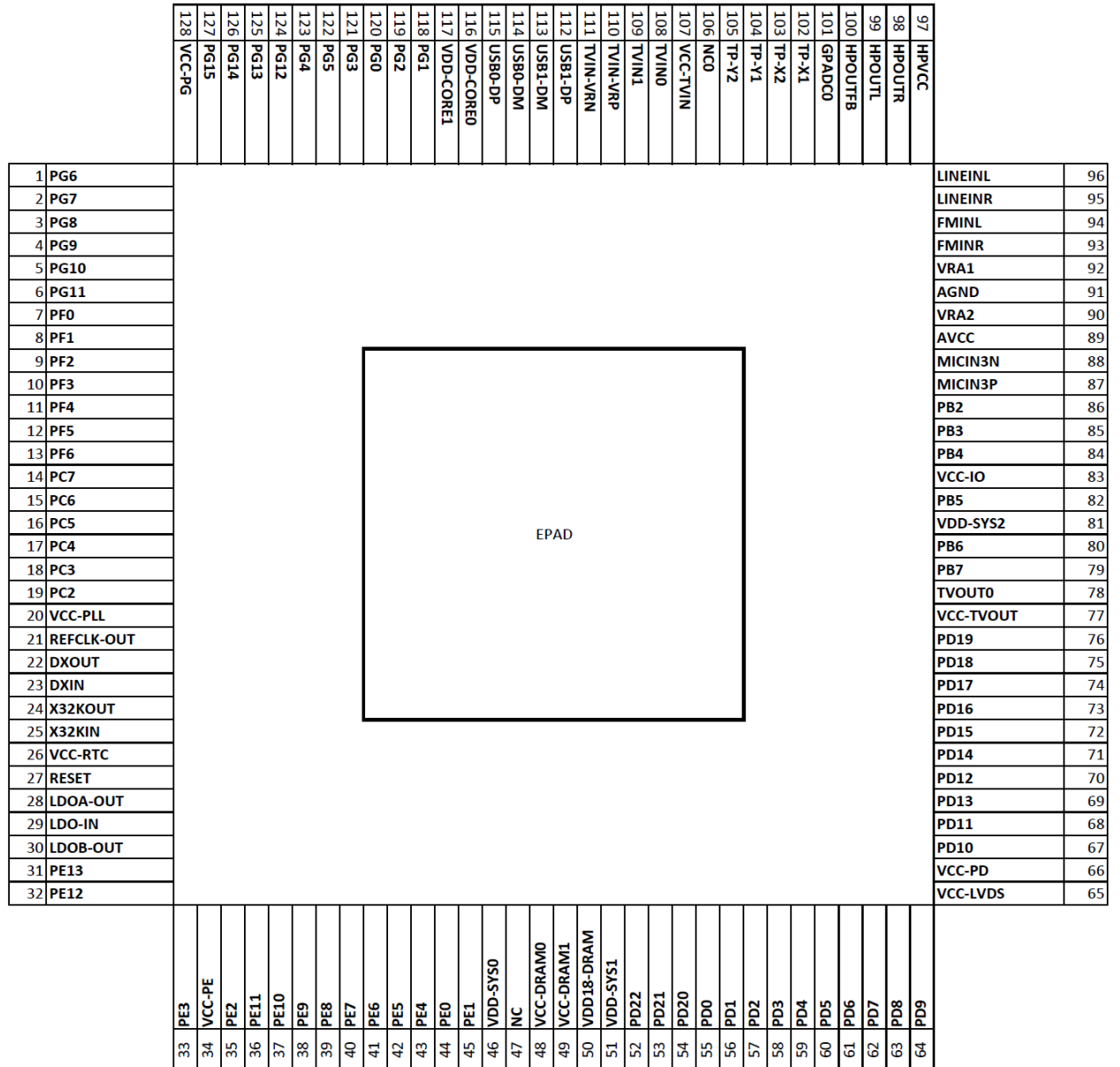
1. Reference document: JESD51-2 Integrated Circuits Thermal Test Method Environment Conditions – Natural Convection (Still Air). Available from www.jedec.org.

7 Pin Assignment

7.1 Pin Map

For F133, eLQFP128, 14 mm x 14 mm package is offered. The following figure shows the pin map of the F133.

Figure 7-1 F133 Pin Map



The pin map difference between F133-A and F133-B is as follows.

Table 7-1 Pin Map Difference between F133-A and F133-B

Pin No.	F133-A	F133-B
107	NC	VCC-TVIN
108	NC	TVIN0

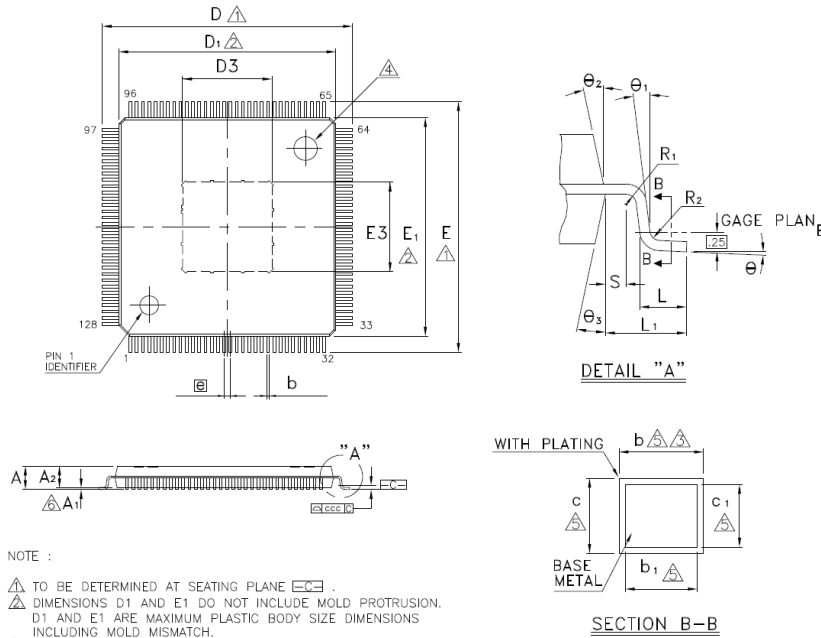
Pin No.	F133-A	F133-B
109	NC	TVIN1
110	NC	TVIN-VRP
111	NC	TVIN-VRN



7.2 Package Dimension

Figure 7-2 shows the top, bottom, and side views of F133 package dimension.

Figure 7-2 F133 Package Dimension



NOTE :

- △ TO BE DETERMINED AT SEATING PLANE E_{CC} .
- △ DIMENSIONS D1 AND E1 DO NOT INCLUDE MOLD PROTRUSION.
- △ D1 AND E1 ARE MAXIMUM PLASTIC BODY SIZE DIMENSIONS INCLUDING MOLD MISMATCH.
- △ DIMENSION b DOES NOT INCLUDE DAMBAR PROTRUSION. DAMBAR CAN NOT BE LOCATED ON THE LOWER RADIUS OF THE FOOT.
- △ EXACT SHAPE OF EACH CORNER IS OPTIONAL.
- △ THESE DIMENSIONS APPLY TO THE FLAT SECTION OF THE LEAD BETWEEN 0.10 mm AND 0.25 mm FROM THE LEAD TIP.
- △ A1 IS DEFINED AS THE DISTANCE FROM THE SEATING PLANE TO THE LOWEST POINT OF THE PACKAGE BODY.
- 7. CONTROLLING DIMENSION : MILLIMETER.
- 8. REFERENCE DOCUMENT : JEDEC MS-026.
- 9. SPECIAL CHARACTERISTICS C CLASS: ccc

Symbol	Dimension in mm			Dimension in inch		
	Min	Nom	Max	Min	Nom	Max
A	—	—	1.60	—	—	0.063
A ₁	0.025	—	0.127	0.001	—	0.005
A ₂	1.35	1.40	1.45	0.053	0.055	0.057
b	0.13	0.18	0.23	0.005	0.007	0.009
b ₁	0.13	0.16	0.19	0.005	0.006	0.007
c	0.09	0.14	0.20	0.004	0.006	0.008
c ₁	0.09	0.12	0.16	0.004	0.005	0.006
D	15.85	16.00	16.15	0.624	0.630	0.636
D ₁	13.90	14.00	14.10	0.547	0.551	0.555
E	15.85	16.00	16.15	0.624	0.630	0.636
E ₁	13.90	14.00	14.10	0.547	0.551	0.555
Ⓞ	0.40 BSC			0.016 BSC		
L	0.45	0.60	0.75	0.018	0.024	0.030
L ₁	1.00 REF			0.039 REF		
R ₁	0.08	—	—	0.003	—	—
R ₂	0.08	—	—	0.003	—	—
S	0.20	—	—	0.008	—	—
θ	0°	3.5°	7°	0°	3.5°	7°
θ ₁	0°	—	—	0°	—	—
θ ₂	11°	12°	13°	11°	12°	13°
θ ₃	11°	12°	13°	11°	12°	13°
ccc	0.08			0.003		

L/F	Exposed Pad Size	
	Dimension in mm	Dimension in inch
①	D3/E3 3.61 REF	0.142 REF
②	D3/E3 5.72 REF	0.225 REF
③	D3/E3 8.00 REF	0.315 REF
④	D3/E3 7.75 / 6.60 REF	0.305 / 0.260 REF
⑤	D3/E3 5.60 / 5.20 REF	0.221 / 0.205 REF
⑥	D3/E3 5.72 / 5.46 REF	0.225 / 0.215 REF



Make sure to use the second set of exposed pad size (D3/E3: 5.72 mm REF or 0.225 inch REF) to design the PCB footprint because the F133 package is designed according to this size.

8 Carrier, Storage and Baking Information

8.1 Carrier

8.1.1 Matrix Tray Information

Table 8-1 shows the F133 matrix tray carrier information.

Table 8-1 Matrix Tray Carrier Information

Item	Color	Size	Note
Tray	Black	315 mm x 136 mm x 7.62 mm	90 Qty/Tray
Aluminum foil bags	Silvery white	540 mm x 300 mm x 0.14 mm	Vacuum packing Including HIC and desiccant Printing: RoHS symbol
Pearl cotton cushion (Vacuum bag)	White	12 mm x 680 mm x 185 mm	
Pearl cotton cushion (The Gap between vacuum bag and inner box)	White	Left-Right: 12 mm x 180 mm x 85 mm Front-Back: 12 mm x 350 mm x 70 mm	
Inner Box	White	396 mm x 196 mm x 96 mm	Printing: RoHS symbol 10 Tray/Inner box
Carton	White	420 mm x 410 mm x 320 mm	6 Inner box/Carton

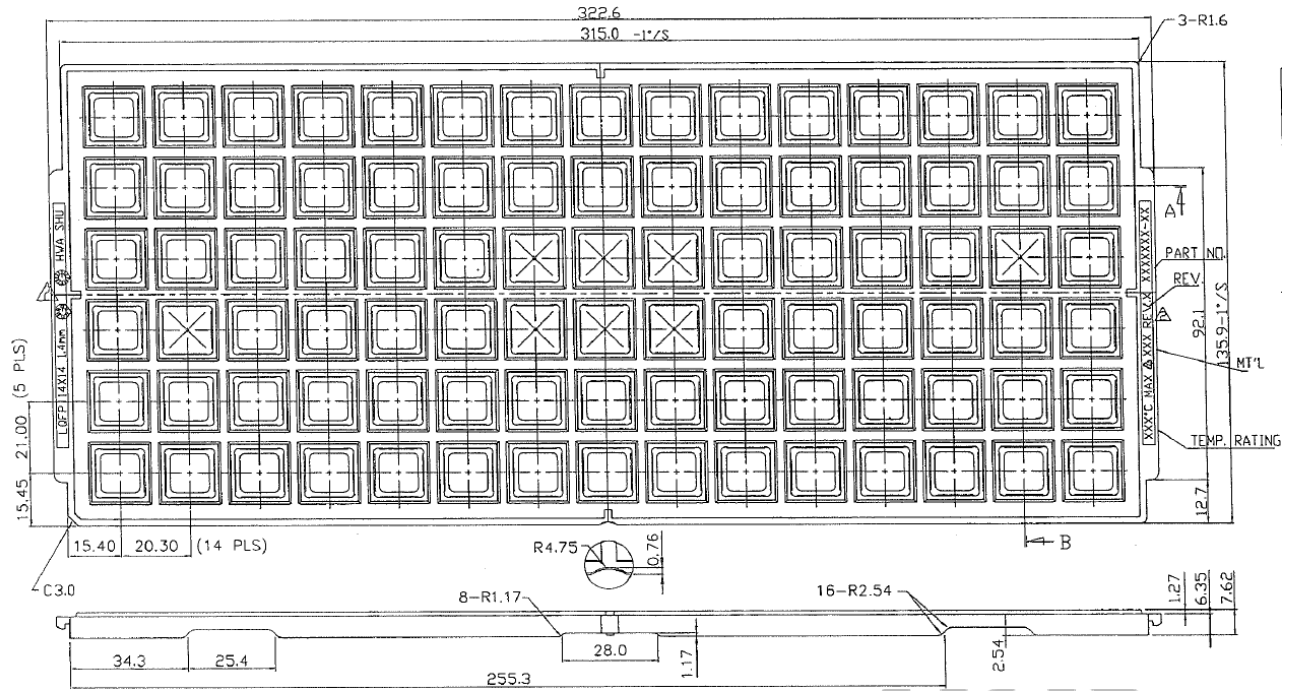
Table 8-2 shows the F133 packing quantity.

Table 8-2 F133 Packing Quantity Information

Sample	Size (mm)	Qty/Tray	Tray/Inner Box	Full Inner Box Qty	Inner Box/Carton	Full Carton Qty
F133-A, F133-B	14 x 14	90	10	900	6	5400

Figure 8-1 shows tray dimension drawing of the F133.

Figure 8-1 F133 Tray Dimension Drawing



8.2 Storage

Reliability is affected if any condition specified in Section 8.2.2 and Section 8.2.3 has been exceeded.

8.2.1 Moisture Sensitivity Level (MSL)

A package's MSL indicates its ability to withstand exposure after it is removed from its shipment bag, a low MSL device sample can be exposed on the factory floor longer than a high MSL device sample. Table 8-3 defines all MSL.



NOTE

The F133 device samples are classified as MSL3.

Table 8-3 MSL Summary

MSL	Out-of-bag floor life	Comments
1	Unlimited	≤30°C / 85%RH
2	1 year	≤30°C / 60%RH
2a	4 weeks	≤30°C / 60%RH
3	168 hours	≤30°C / 60%RH

MSL	Out-of-bag floor life	Comments
4	72 hours	≤30°C / 60%RH
5	48 hours	≤30°C / 60%RH
5a	24 hours	≤30°C / 60%RH
6	Time on Label (TOL)	≤30°C / 60%RH

8.2.2 Bagged Storage Conditions

Table 8-4 defines the shelf life of the F133 device samples.

Table 8-4 Bagged Storage Conditions

Packing mode	Vacuum packing
Storage temperature	20–26°C
Storage humidity	40–60%RH
Shelf life	12 months

8.2.3 Out-of-bag Duration

It is defined by the device MSL rating. The out-of-bag duration of the F133 is as follows.

Table 8-5 Out-of-bag Duration

Storage temperature	20–26°C
Storage humidity	40–60%RH
Moisture sensitive level (MSL)	3
Floor life	168 hours

For no mention of storage rules in this document, refer to the latest *IPC/JEDEC J-STD-020C*.

8.3 Baking

It is not necessary to bake the F133 if the conditions specified in Section 8.2.2 and Section 8.2.3 have not been exceeded. It is necessary to bake the F133 if any condition specified in Section 8.2.2 and Section 8.2.3 has been exceeded.

It is necessary to bake the F133 if the storage humidity condition has been exceeded, we recommend that the device sample removed from its shipment bag for more than 2 days shall be baked to guarantee production.

Baking conditions: 125°C, 8 hours, nitrogen protection. Note that the baking should not exceed 1 times due to a risk of deformation.



9 Reflow Profile

All Allwinner chips provided for clients are lead-free RoHS-compliant products.

The reflow profile recommended in this document is a lead-free reflow profile that is suitable for pure lead-free technology of lead-free solder paste. If customers need to use lead solder paste, contact Allwinner FAE.

Figure 9-1 shows the appropriate reflow profile.

Figure 9-1 Lead-free Reflow Profile

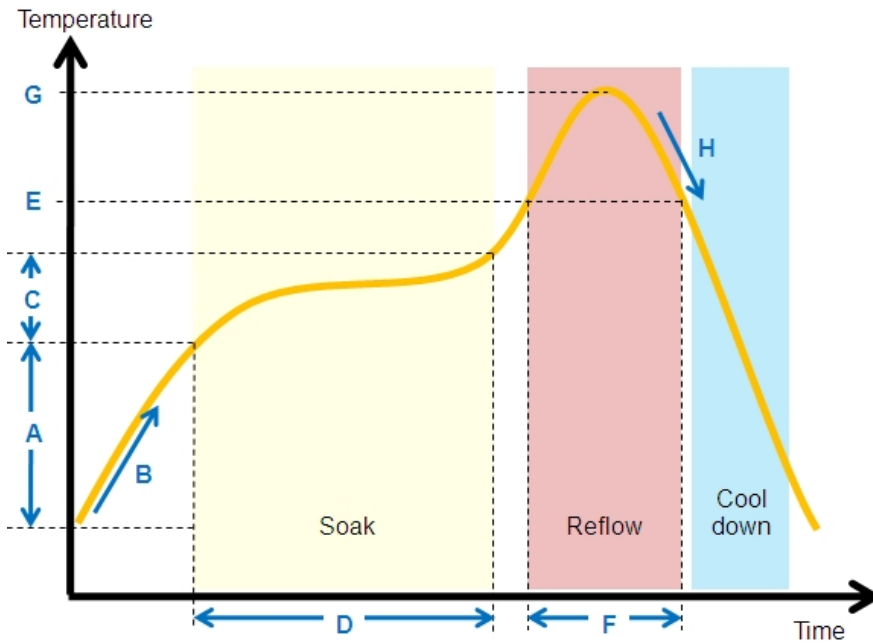


Table 9-1 Lead-free Reflow Profile Conditions

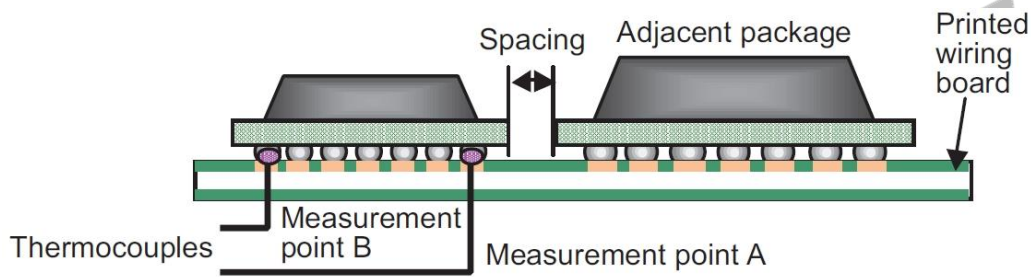
	QTI typical SMT reflow profile conditions (for reference only)	
	Step	Reflow condition
Environment	N2 purge reflow usage (yes/no)	Yes, N2 purge used
	If yes, O2 ppm level	O2 < 1500 ppm
A	Preheat ramp up temperature range	25°C -> 150°C
B	Preheat ramp up rate	1.5–2.5 °C/s
C	Soak temperature range	150°C -> 190°C
D	Soak time	80–110 s
E	Liquidus temperature	217°C
F	Time above liquidus	60–90 s

	QTI typical SMT reflow profile conditions (for reference only)	
	Step	Reflow condition
G	Peak temperature	240–250°C
H	Cool down temperature rate	≤4°C/s

The method of measuring the reflow soldering process is as follows.

Fix the thermocouple probe of the temperature measuring line at the connection point between the pin (solderable end) of the packaged device and the pad by using high-temperature solder wire or high-temperature tape, fix the packaged device at the pad by using high-temperature tape or other methods, and cover over the thermocouple probe. See Figure 9-2.

Figure 9-2 Measuring the Reflow Soldering Process



NOTE

To measure the temperature of the QFP-packaged chip, place the temperature probe directly at the pin.

If possible, the more accurate measuring way is to drill the packaged device, or drill the PCB, and fix the thermocouple probe through the drilled hole at the pad.

10 FT/QA/QC Test

10.1 FT Test

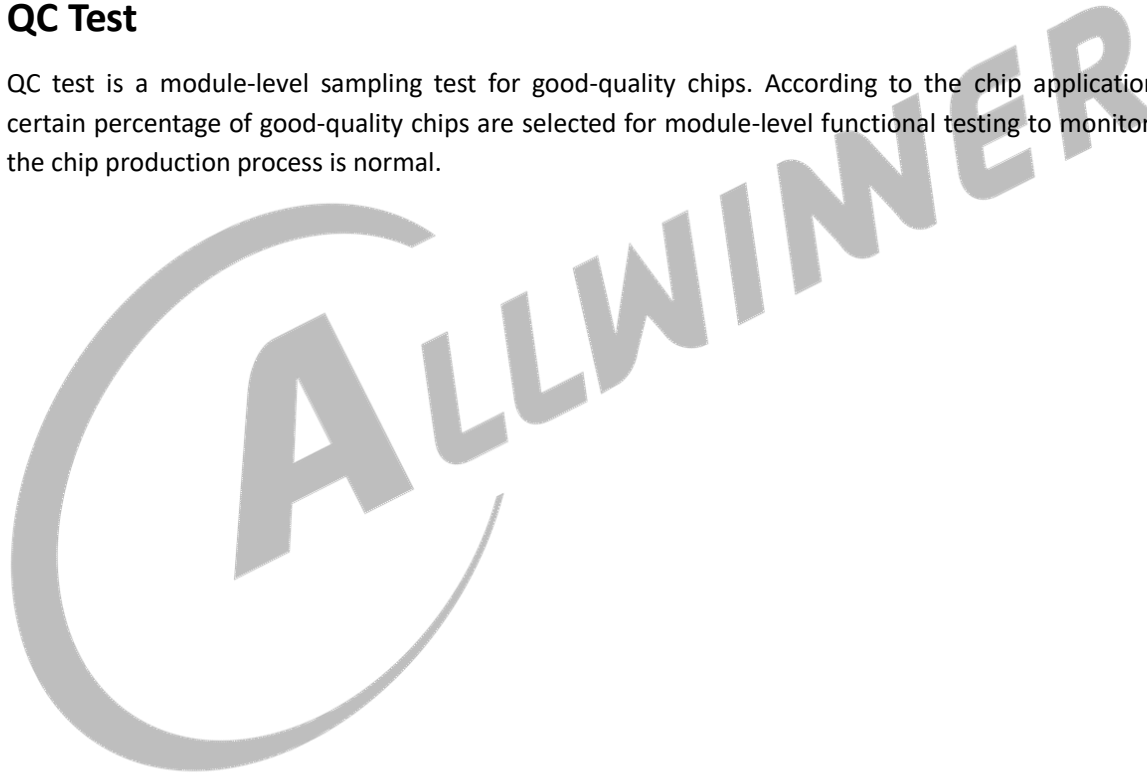
FT test is the finished product testing after the chip is packaged, and it is a functional test of all modules for each produced chip.

10.2 QA Test

QA test is a system-level sampling test for good-quality chips. According to the application level of the chip, a certain percentage of good-quality chips are selected for system-level testing to make the chip work in a typical application scenario, and judge whether the chip works normally in this scenario.

10.3 QC Test

QC test is a module-level sampling test for good-quality chips. According to the chip application level, a certain percentage of good-quality chips are selected for module-level functional testing to monitor whether the chip production process is normal.



11 Part Marking

11.1 F133-A

Figure 11-1 shows the F133-A marking.

Figure 11-1 F133-A Marking

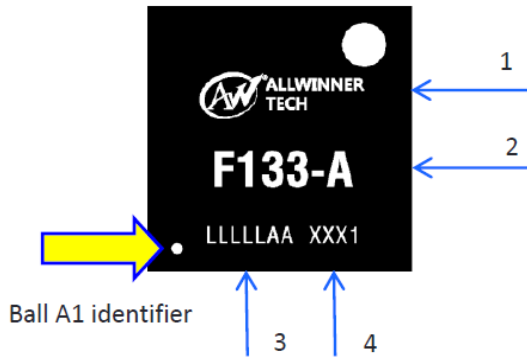


Table 11-1 describes the F133-A marking definitions.

Table 11-1 F133-A Marking Definitions

No.	Marking	Description	Fixed/Dynamic
1	ALLWINNERTECH	Allwinner logo or name	Fixed
2	F133-A	Product name	Fixed
3	LLLLLAA	Lot number	Dynamic
4	XXX1	Date code	Dynamic

11.2 F133-B

Figure 11-2 shows the F133-B marking.

Figure 11-2 F133-B Marking

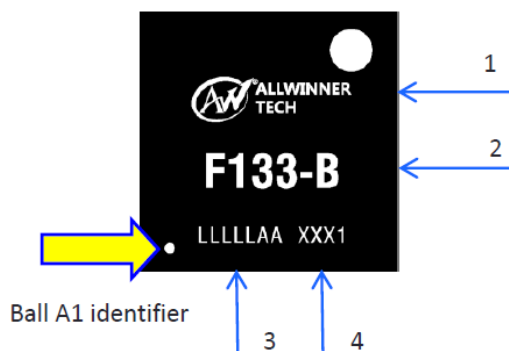


Table 11-2 describes the F133-B marking definitions.

Table 11-2 F133-B Marking Definitions

No.	Marking	Description	Fixed/Dynamic
1	ALLWINNERTECH	Allwinner logo or name	Fixed
2	F133-B	Product name	Fixed
3	LLLLLAA	Lot number	Dynamic
4	XXX1	Date code	Dynamic



Copyright©2021 Allwinner Technology Co.,Ltd. All Rights Reserved.

This documentation is the original work and copyrighted property of Allwinner Technology Co.,Ltd (“Allwinner”). No part of this document may be reproduced, modify, publish or transmitted in any form or by any means without prior written consent of Allwinner.

Trademarks and Permissions

Allwinner and the Allwinner logo (incomplete enumeration) are trademarks of Allwinner Technology Co.,Ltd. All other trademarks, trade names, product or service names mentioned in this document are the property of their respective owners.

Important Notice and Disclaimer

The purchased products, services and features are stipulated by the contract made between Allwinner Technology Co.,Ltd (“Allwinner”) and the customer. All or part of the products, services and features described in this document may not be within the purchase scope or the usage scope. Please read the terms and conditions of the contract and relevant instructions carefully before using, and follow the instructions in this documentation strictly. Allwinner assumes no responsibility for the consequences of improper use (including but not limited to overvoltage, overclock, or excessive temperature).

The information in this document is provided just as a reference or typical applications, and is subject to change without notice. Every effort has been made in the preparation of this document to ensure accuracy of the contents. Allwinner is not responsible for any damage (including but not limited to indirect, incidental or special loss) or any infringement of third party rights arising from the use of this document. All statements, information, and recommendations in this document do not constitute a warranty or commitment of any kind, express or implied.

No license is granted by Allwinner herein express or implied or otherwise to any patent or intellectual property of Allwinner. Third party licences may be required to implement the solution/product. Customers shall be solely responsible to obtain all appropriately required third party licences. Allwinner shall not be liable for any licence fee or royalty due in respect of any required third party licence. Allwinner shall have no warranty, indemnity or other obligations with respect to third party licences.



Copyright © 2021 Allwinner Technology Co.,Ltd. All Rights Reserved.

Allwinner Technology Co.,Ltd.

No.9 Technology Road 2, High-Tech Zone,
Zhuhai, Guangdong Province, China

Contact US:

Service@allwinnertech.com

www.allwinnertech.com