

串口

PB8	0
PB9	0
PC0	2
PC1	1
PD21	1
PD22	1

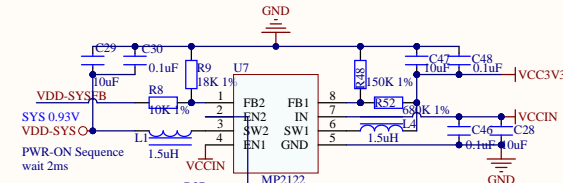
I2C

PE16	3
PE17	3
PG13	0
PG12	0

PWM

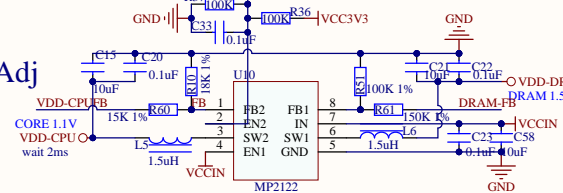
PB5	0
PB6	1
LC0_PWM	2
LED	

SYS

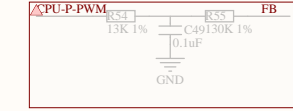


3.3V

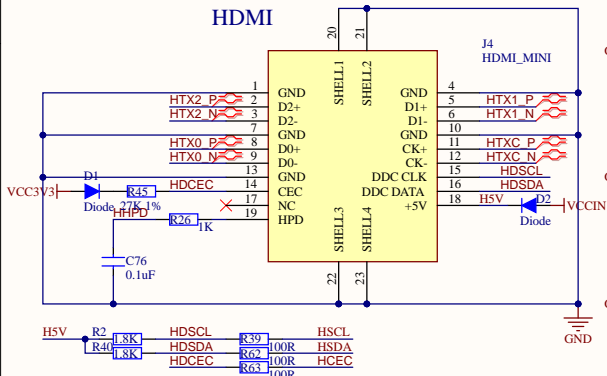
CPU-Adj



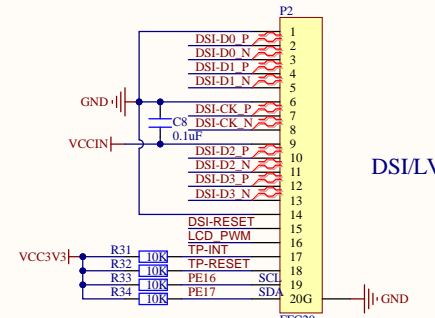
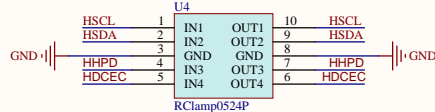
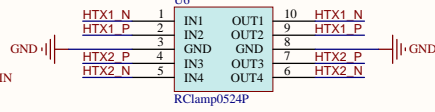
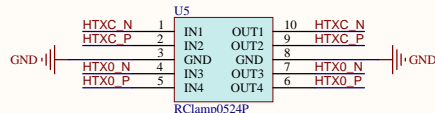
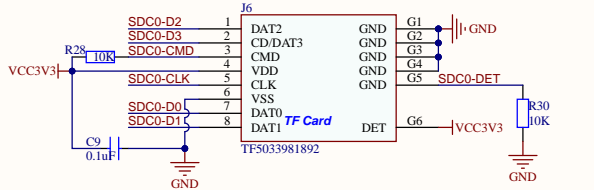
DRAM



HDMI

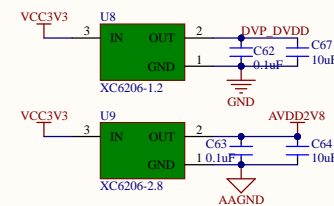


TF CARD

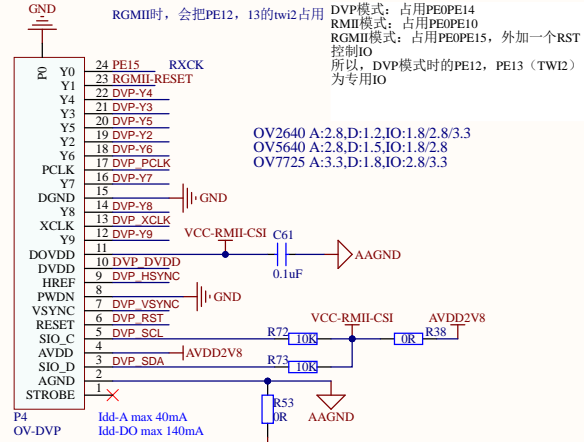


DSI/LVDS + CTP(twi3)

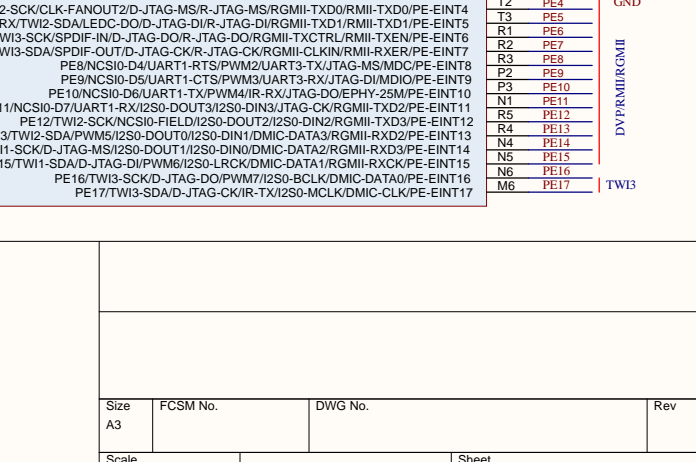
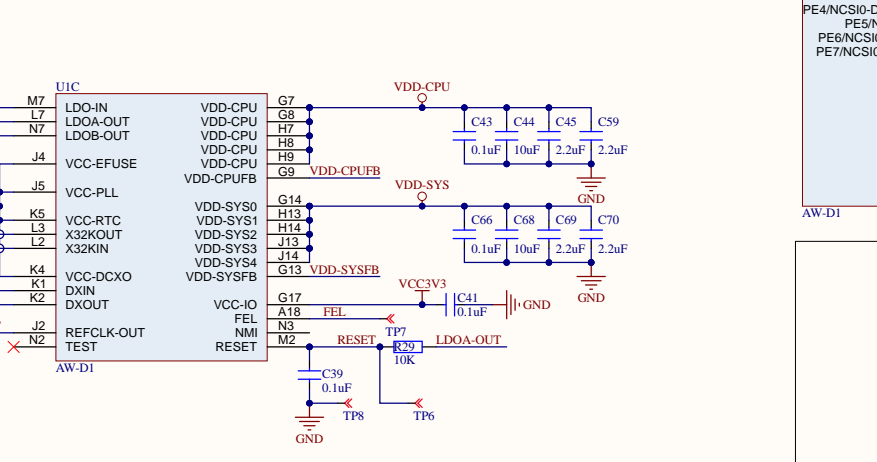
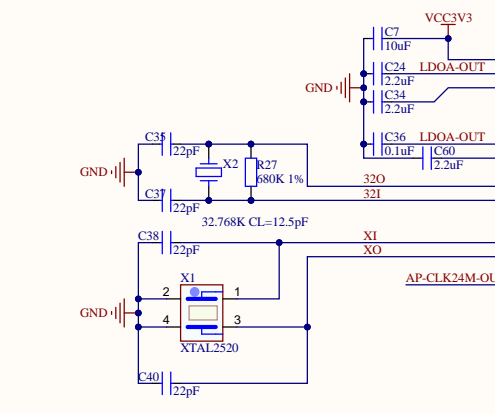
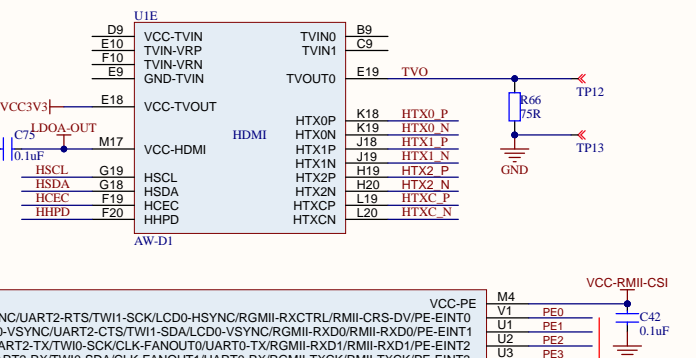
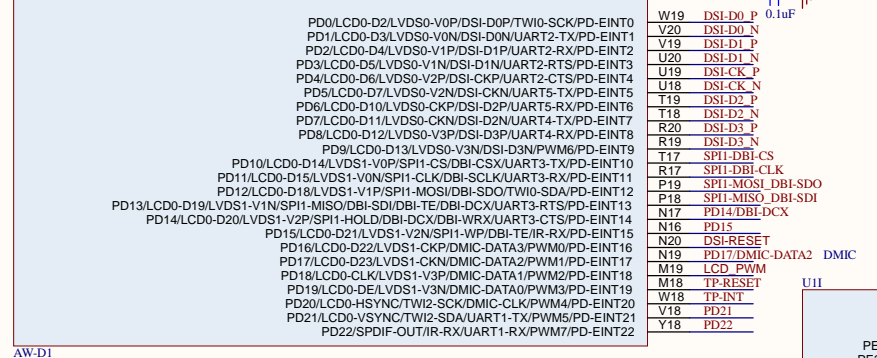
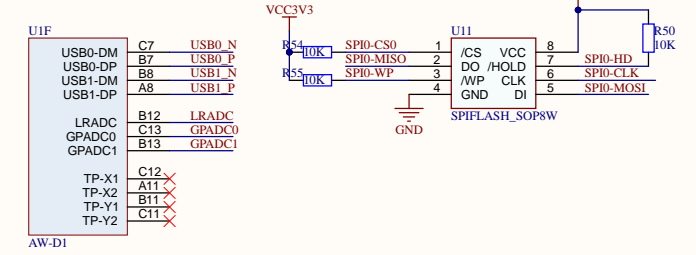
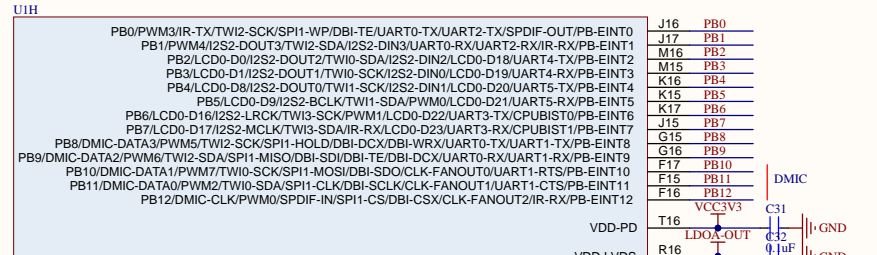
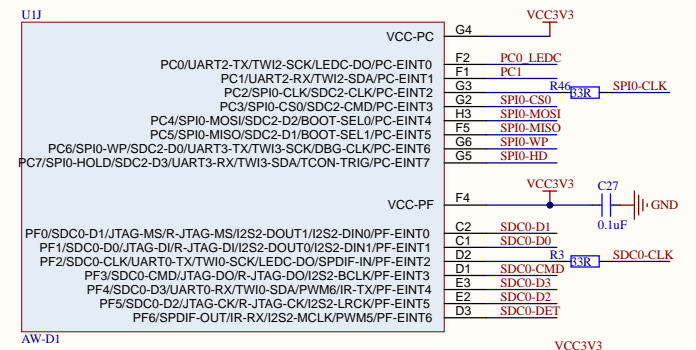
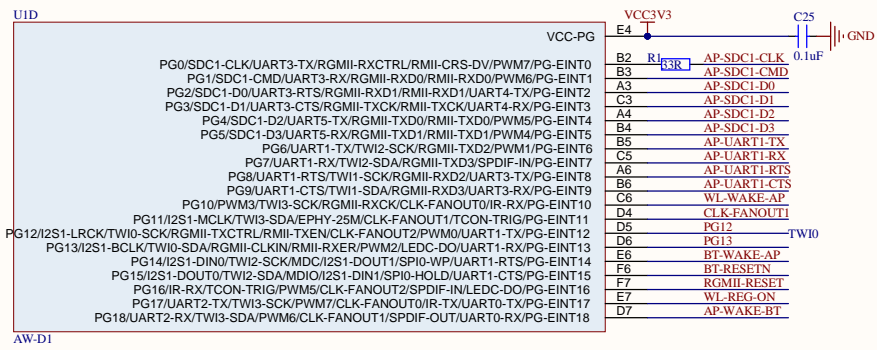
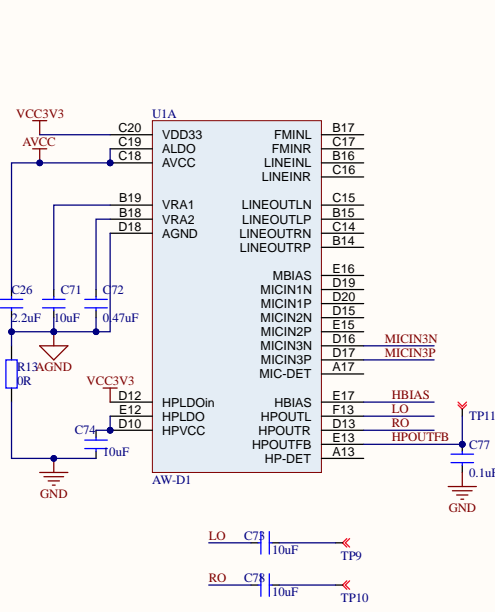
DVP_HSYNC	PE0
DVP_VSYNC	PE1
DVP_PCLK	PE2
DVP-Y2	PE4
DVP-Y3	PE5
DVP-Y4	PE6
DVP-Y5	PE7
DVP-Y6	PE8
DVP-Y7	PE9
DVP-Y8	PE10
DVP-Y9	PE11
DVP_XCLK	PE3
DVP_SCL	PE12
DVP_SDA	PE13
DVP_RST	PE14



DVP(with TWI2)/RMII/RGMII



Title		
Size	Number	Revision
A3		
Date:	9/26/2024	Sheet of
File:	D:\Data\...D1-Periph.SchDoc	Drawn By:



Size	FCSM No.	DWG No.	Rev
A3			
Scale			Sheet

